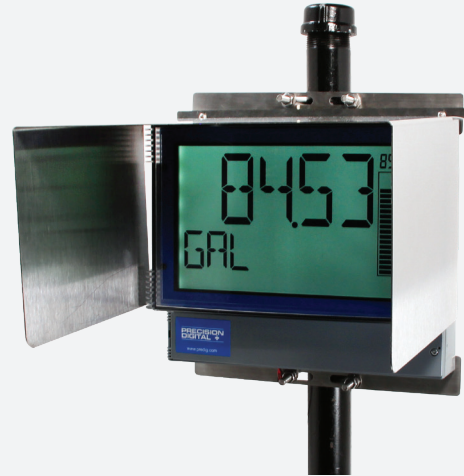


PDA24SH Stainless Steel Sun Hood for Helios & Loop Leader+ Instruction Manual



Meter and pipe mounting kit sold separately

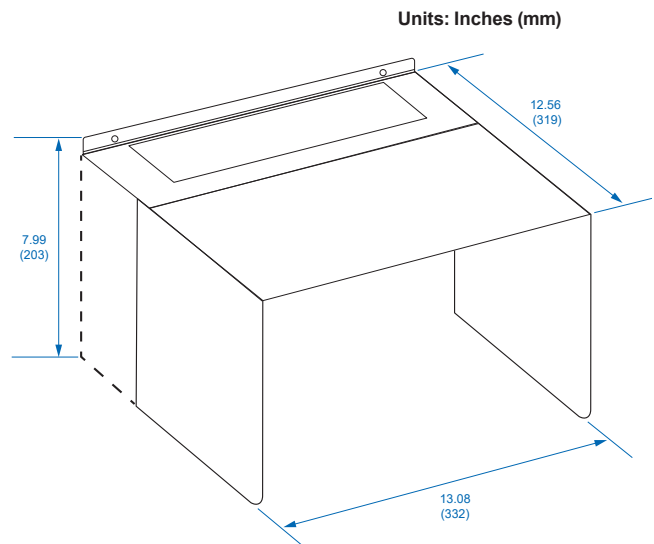
FEATURES

- Provides Shade for PD2 Helios and PD4 Loop Leader+ Series Large Display Meters
- Made from 18 Gauge 316 Stainless Steel

INTRODUCTION

The PDA24SH Stainless Steel Sun Hood improves the readability of the Helios and Loop Leader+ when mounted in direct sunlight by shading the instrument from the sun. The PDA24SH Sun Hood is made from 18 gauge 316 stainless steel and easily mounts to the enclosure of the meter.

DIMENSIONS

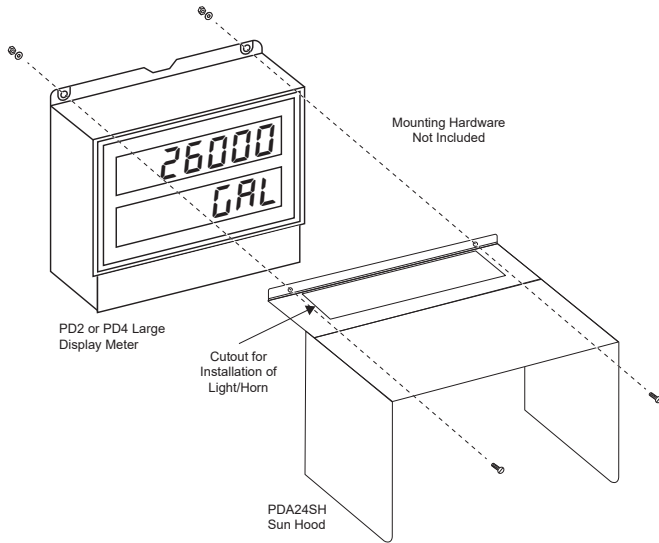


PDA24SH Overall Dimensions

MOUNTING INSTRUCTIONS

1. To install, line up the mounting holes of the sun hood to the mounting holes on the top of the PD2/PD4 meter enclosure.
2. Use appropriate hardware (screws, nuts, washers, concrete bolts, etc.) to secure the sun hood to the meter.

Note: Mounting hardware is not included with the PDA24SH. If using the PDA6260-SS pipe mounting kit the provided hardware can be used to mount the sun hood to the meter and mounting plate.



Note: The cutout on the top of the sun hood is to allow installation of the Light/Horn accessory on the PD2/PD4 meter.

SPECIFICATIONS

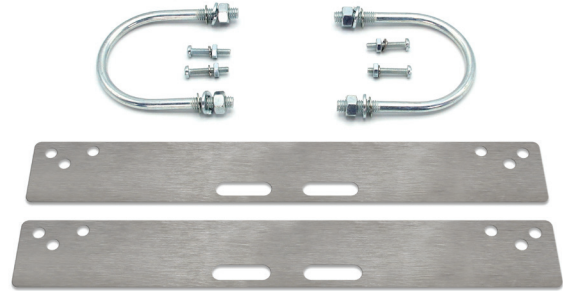
Material	18 gauge 316 stainless steel
Overall Dimensions	13.08" x 7.99" x 12.56" (332 mm x 203 mm x 319 mm) (W x H x D)
Weight	3.9 lb (1.76 kg)

ORDERING INFORMATION

[PDA24SH](#)

Stainless Steel Sun Hood for Helios PD2 and Loop Leader+ PD4 Large Display Meters

PDA6260-SS PIPE MOUNTING KIT ACCESSORY



The PDA6260-SS provides a convenient way to mount Precision Digital Series PD2 and PD4 NEMA 4X Large Display Meters to horizontal or vertical 1.5" or 2" pipes.

The PDA6260-SS mounting kit is made from 316 stainless steel and includes all necessary hardware to mount the meter to the pipe.

[PDA6260-SS](#)

PD2 & PD4 Stainless Steel Pipe Mounting Kit for 1.5" or 2.0" Pipe

Disclaimer

The information contained in this document is subject to change without notice. Precision Digital Corporation makes no representations or warranties with respect to the contents hereof, and specifically disclaims any implied warranties of merchantability or fitness for a particular purpose.

©2024 Precision Digital Corporation. All rights reserved.

⚠ WARNING

Cancer and Reproductive Harm - www.P65Warnings.ca.gov

LIM24SH_A 05/24