

# PD9000-ENC ConsoliDator+ UL Type 4X Plastic & UL Type 4 Steel Enclosures

Data Sheet



PDA3939



PDA1939



PDA1909



PDA1939 with Light/Horn,  
Button, and Stainless Steel  
Sun Hood Accessories



PDA2929



PDA2919



PDA2909



Download free 3-D CAD files of these enclosures to simplify your drawings!  
[predig.com/documentation-cad](http://predig.com/documentation-cad)

## FEATURES

- Enclosure Assembly Services Available
- House One ConsoliDator+ PD9000
- Cutout for One ConsoliDator+ Provided
- ConsoliDator+ Mounts in Cover
- Sub-Panels Available
- PDA6909-SS Pipe Mounting Kit Available
- Light/Horn & Button Available
- UL/C-UL Listed Stainless Steel Sun Hood Available
- Enclosure Ventilation Kit Available

## Steel Enclosures

- 14-Gauge Steel
- UL Type / NEMA 4, 12 and 13
- Cover Secured with Screwed Latches
- Built-In Mounting Flanges with Holes
- UL Listed, CSA Certified

## Plastic Enclosures

- UL Type / NEMA 4X
- Cover Secured with Hasps
- Clear Hinged Door Fully Encloses ConsoliDator+ (PDA3939 only)
- ConsoliDator+ Mounts in Hinged Sub-Panel Door (PDA3939 only)
- UL Listed

## OVERVIEW

The PD9000-ENC enclosures provide a convenient way to mount the PD9000 ConsoliDator+ to walls, pipes, and other vertical structures. The enclosures are available in painted steel and plastic and come pre-cut with one cutout to mount the PD9000.

The enclosures are available in various sizes, with the larger enclosures capable of housing other pieces of equipment, such as PDA1024-01 power supply.

A pipe mounting kit is available to mount the enclosure to a 2-inch pipe and a stainless steel sun hood accessory is available for outdoor installations.

In addition, the enclosures can be ordered with holes predrilled for mounting devices such as the PDA-LH Light/Horn, PDA-BUTTON Button, and the PDA0007 Ventilation Kit to the enclosure.

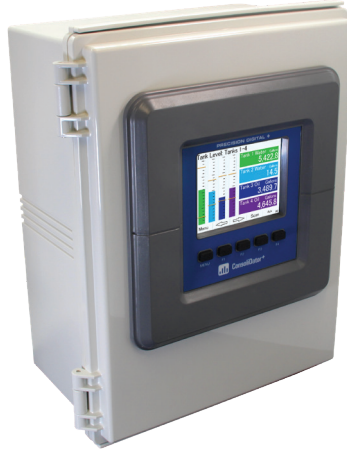
The enclosure and ConsoliDator+ are ordered and packaged separately. Precision Digital also offers an enclosure assembly service that provides fully assembled enclosures with wiring to terminal blocks.

**MODELS AVAILABLE**

**UL Type 4X / NEMA 4X Plastic Enclosures**



**PDA1909<sup>(1)</sup>**  
 Dimensions: 11.8" x 11.8" x 5.9"  
 (300 mm x 300 mm x 150 mm)  
 (W x H x D)



**PDA1939**  
 Dimensions: 13.8" x 17.7" x 7.9"  
 (350 mm x 450 mm x 200 mm)  
 (W x H x D)



**PDA3939**  
 Dimensions: 13.8" x 17.7" x 7.9"  
 (350 mm x 450 mm x 200 mm)  
 (W x H x D)

**UL Type 4 / NEMA 4 Steel Enclosures**



**PDA2909<sup>(1)</sup>**  
 Dimensions: 12.0" x 12.0" x 6.0"  
 (305 mm x 305 mm x 152 mm)  
 (W x H x D)



**PDA2919**  
 Dimensions: 12.0" x 14.0" x 8.0"  
 (305 mm x 356 mm x 203 mm)  
 (W x H x D)



**PDA2929**  
 Dimensions: 14.0" x 16.0" x 10.0"  
 (355 mm x 406 mm x 254 mm)  
 (W x H x D)

**Note:**

1. Due to the limited amount of internal space available for these enclosures they are recommended for PD9000s with only a minimal amount of option cards installed.



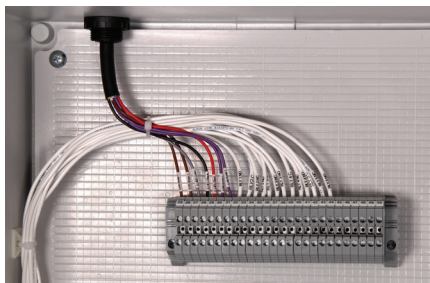
Download free 3-D CAD files of these enclosures to simplify your drawings!

[predig.com/documentation-cad](http://predig.com/documentation-cad)

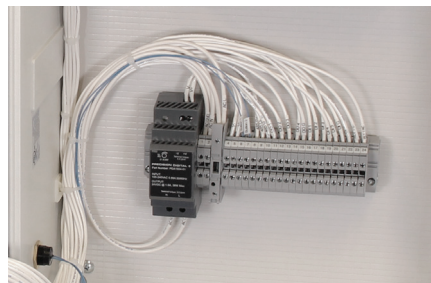
**CONSOLIDATOR+ ENCLOSURE ASSEMBLY SERVICES**



**UL**  
LISTED  
Enclosed Industrial Control Panel



DIN Rail Terminal Strip



Power Supply & DIN Rail Terminal Strip



Wiring Table Attached Inside

**Overview**

Precision Digital offers comprehensive enclosure wiring and assembly services for its PD9000 ConsoliDator+ to provide customers with a fully assembled and wired enclosure that is ready to connect to field devices. All enclosure assemblies are certified as UL/C-UL Enclosed Industrial Control Panels.

In addition to installing and wiring the PD9000, other components such as light and horn towers, buttons, power supplies and other devices a customer may want can be installed and wired.

All field wiring is made to DIN rail terminal strips at the base of the enclosure.

Enclosure Assembly Services are available only on the following enclosures: PDA1939, PDA2919, PDA2929, and PDA3939.

**Key Features**

- Complete Assembly Services with Instruments, Enclosure, Accessories, and Other Components
- Fully Assembled and Wired, Ready for Use
- Includes Backplane and Din Rail Terminal Strips for Connections
- Meticulously Labeled and Professionally Managed Wiring
- Ready for Straightforward On-Site Installation
- Certified as UL/C-UL Enclosed Industrial Control Panels\*

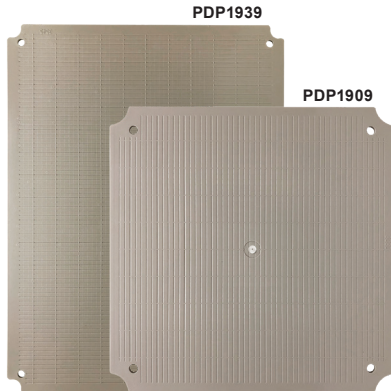
\*Panels installed with temperature input cards, digital input cards, or printer card are not UL/C-UL panel rated.

## ACCESSORIES

### Sub-Panels

Precision Digital offers plastic and steel sub-panels for the ConsoliDator+ enclosures that provide a convenient way to mount additional items to the base of the enclosure. They can be drilled to accept screws for easy mounting of relays, contactors, securing wiring clips, or installing other internal devices.

#### Sub-Panels for Plastic Enclosure

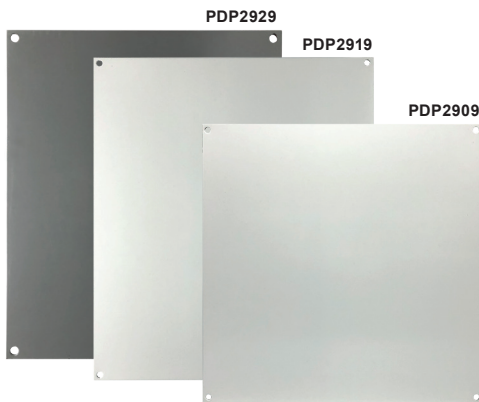


#### SPECIFICATIONS

Sub-panel	Enclosure	Dimensions (Inches)	Dimensions (mm)
PDP1909	PDA1909	10.3 × 10.3	262 × 262
PDP1939	PDA1939, PDA3939	12.0 × 16.0	306 × 407

**Material:** Plastic  
Mounting hardware is included.

#### Sub-Panels for Steel Enclosures



#### SPECIFICATIONS

Sub-panel	Enclosure	Dimensions (Inches)	Dimensions (mm)
PDP2909	PDA2909	11.0 × 11.0	279 × 279
PDP2919	PDA2919	13.0 × 11.0	330 × 279
PDP2929	PDA2929	15.0 × 13.0	381 × 330

**Thickness:** 14 gauge  
**Material:** Steel  
Mounting hardware is included.

### PDA0007 Enclosure Ventilation Kit

The PDA0007 ventilation kit consists of two vents and is designed to equalize internal / external pressure and temperature to prevent condensation from building up in the enclosure. Internal baffles within the vents create an airflow pattern that allows air to pass between the inside of the enclosure and the outside environment. The vents are compatible for use with steel or plastic enclosures and are rated UL & CSA Type 4X and IP66. The ventilation kit can also be ordered as a MODVENT-P for plastic enclosures and a MOD-VENT-M for steel enclosures. When this is done, the accompanying enclosure will be provided with pre-drilled holes for the vents (Installation is done by the user and the enclosure is sold separately). See ordering information.

- Prevents condensation inside the enclosure
- UL & CSA Type 4X IP66
- Use with steel or plastic enclosures
- For wall thickness of 16 gauge to 1/4"
- Corrosion resistant polycarbonate
- Comes with two vents



### PDA1024-01 24 VDC Power Supply for DIN Rail



The PDA1024-01 is a DIN rail mounted 1.5 A, 24 VDC power supply that can be used for a variety of functions; the most common of which is powering 4-20 mA transmitters.

#### SPECIFICATIONS

**Output Voltage:** 21.6-29 VDC; ±10% 1.5A rated current.  
**Dimensions:** 1.40" x 3.50" x 2.10"  
(35 mm x 90 mm x 54.5 mm) (W x H x D)

**ACCESSORIES (CONTINUED)**












**Light/Horn & Button Mounted to Enclosure**


Transform Precision Digital meters and controllers housed in an enclosure into an efficient display, control, and alarm system with the MOD-LH series. It provides a light/horn to boost visibility of alarm conditions, a button that connects to the meter's digital input to control or reset the alarms, and hole drilling on the enclosure for both the light/horn and button to make user installation and wiring quick and easy. Enclosure and meter are sold separately.

The MOD-LH series is compatible with a wide range of Precision Digital UL Type / NEMA 4 & 4X enclosures as well as meters and controllers including the ProVu, Trident, Loop Leader, and ConsoliDator+ Series.

Overall, the MOD-LH series is a simple solution for Precision Digital meters and controllers that adds audible and visual ways to indicate critical alarms.

**What's Included**

  Light/Horn	  Button and 9 Labels	  Hole Drilling on Enclosure	  Meter	  Enclosure	  Installation and Wiring
--	--	---	---	---	--










**Light with 85 dB Horn**

**PDA2919 Enclosure**

**ConsoliDator+ Multivariable Controller**

**Button (9 Labels Provided)**

**The MOD-LH Light/Horns are available in the following colors:**

 Red	 Green	 Yellow	 Blue
 White	 5 Colors	 3 Color Stack	

**ACCESSORIES (CONTINUED)**

**PDA9000SH Stainless Steel Sun Hood for ConsoliDator+ Multivariable Controller**

The PDA9000SH Stainless Steel Sun Hood improves the readability of the PD9000 ConsoliDator+ Multivariable Controller when it is mounted in direct sunlight by shading the instrument from the sun. The Sun Hood is made from 18 gauge 316 stainless steel and mounts between the PD9000 controller and the enclosure cover/door. In addition, the attached gasket is installed between the Sun Hood and the enclosure cover/door to provide a UL Type / NEMA 4X seal. The whole assembly is held in place by the 12 mounting screws provided with the ConsoliDator+ Controller.

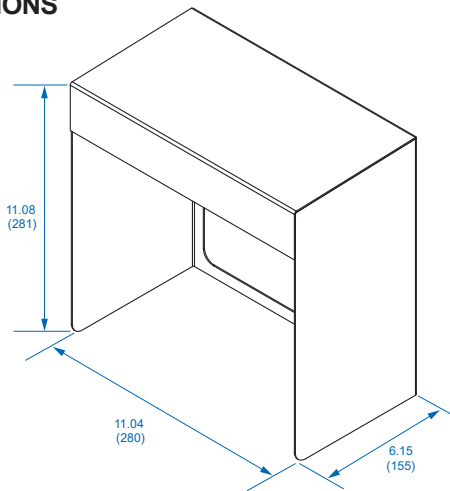


Controller and Enclosure Sold Separately.

**SPECIFICATIONS**

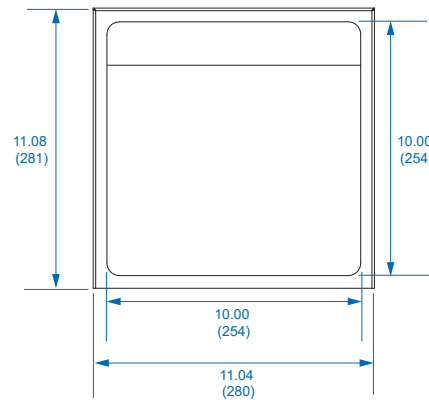
<b>Material</b>	18 gauge 316 stainless steel
<b>Overall Dimensions</b>	11.04" x 11.08" x 6.15" (280 mm x 281 mm x 155 mm) (W x H x D)
<b>Weight</b>	3.4 lb (1.5 kg)
<b>Gasket Material</b>	Silicone Foam
<b>UL Requirements</b>	For use on a flat surface of a UL Type 4X Enclosure. The 4X sun hood must remain in place in order to maintain the 4X Rating. Installed to 7 lb-in (0.8 Nm).
<b>UL File Number</b>	E548309

**DIMENSIONS**



PDA9000SH Overall Dimensions

Units: Inches (mm)



PDA9000SH ConsoliDator+ Cutout

The following ConsoliDator+ Enclosures are compatible with the PDA9000SH Sun Hood:



[PDA1909](#)  
UL Type 4X Plastic



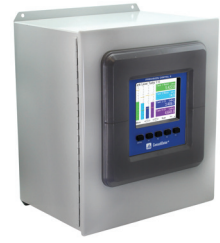
[PDA1939](#)  
UL Type 4X Plastic



[PDA2909](#)  
UL Type 4 Steel



[PDA2919](#)  
UL Type 4 Steel



[PDA2929](#)  
UL Type 4 Steel

**Note:** The PDA3939 ConsoliDator+ Enclosure is not compatible with the PDA9000SH

## WALL MOUNTING

### Wall Mounting for Steel Enclosures

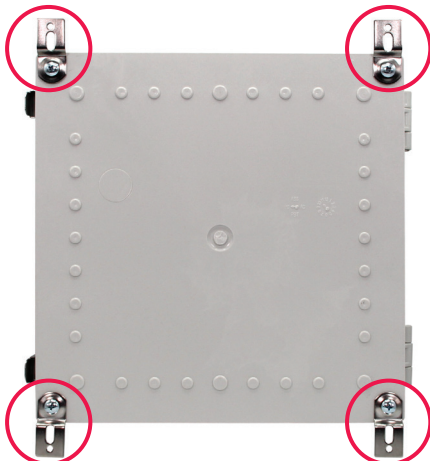
The PDA2909, PDA2919, and PDA2929 steel enclosures come with built-in mounting flanges located on the backside at the top and bottom of the enclosure. These allow for easy and convenient wall mounting.



Steel enclosures have built-in flanges on the back side for wall mounting

### Wall Mounting for Plastic Enclosures

The PDA1909, PDA1939, and PDA3939 plastic enclosures include four mounting flanges and four screws for your convenience. Using the included screws and a Phillips head screwdriver simply assemble each flange in the four threaded screw holes on the back of the enclosure as shown in the example below. Now the enclosure is ready to be easily mounted to a wall.



Plastic enclosures are supplied with 4 screws and 4 mounting flanges

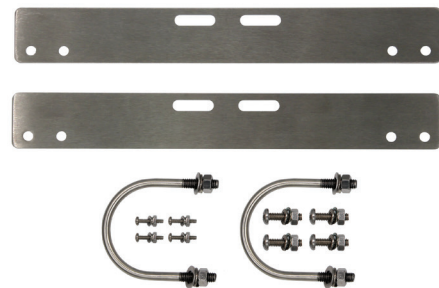
## PIPE MOUNTING

### PDA6909-SS Pipe Mounting Kit

The ConsoliDator+ enclosures can be mounted on a 2" pipe with the PDA6909-SS pipe mounting kit. The PDA6909-SS comes with all the hardware you need to conveniently mount the mounting plate to the enclosure and the enclosure to the pipe. The mounting kit is made of stainless steel and is compatible with both plastic and steel ConsoliDator+ enclosures.



PDA1939 enclosure mounted to 2" pipe with PDA6909-SS pipe mounting kit



PDA6909-SS stainless steel pipe mounting kit contents

## COVER SECURING METHOD

### Plastic Enclosures

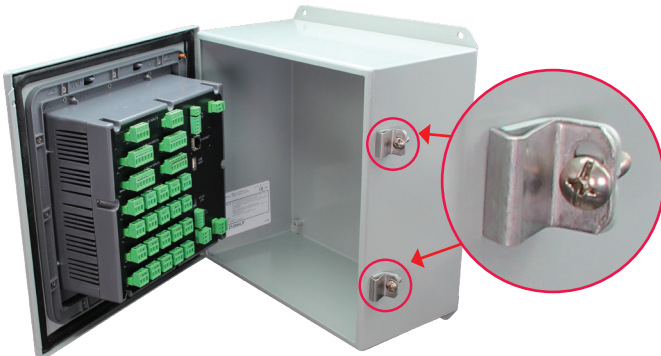
The covers on the plastic enclosures are hinged and secured with hasps.



PDA1909 plastic enclosure showing hasps

### Steel Enclosures

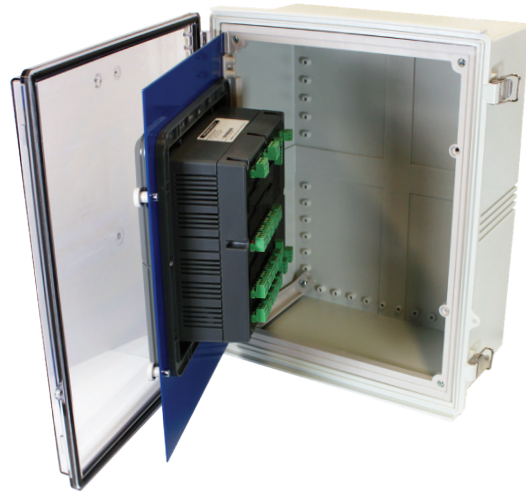
The covers on the steel enclosures are hinged and secured with latches and screws.



PDA2909 steel enclosure showing latches and screws

### PDA3939 Fully Protects ConsoliDator+

The PDA3939 enclosure fully protects the ConsoliDator+ from the outside elements. The controller is mounted in a hinged interior plate and is covered and secured by the clear plastic outer door and hasps.



PDA3939 plastic enclosure open with clear cover and interior door for mounting ConsoliDator+

## SPECIFICATIONS

### Plastic Enclosure Specifications (PDA1909, PDA1939, PDA3939)

**Material:** Thermoplastic Polyester Enclosure with Stainless Steel Hardware. PDA3939 only: Cover: Clear polycarbonate plastic; Plate: Painted Aluminum

**Color:** Gray

**Controller Mounting Method:**

PDA1909 & PDA1939: Through cover

PDA3939: Through interior hinged plate

**Cover Mounting Method:** Hinge / Hasp

**Ratings:** UL Type / NEMA 4X

**Approvals:** UL/C-UL

**Operating Temperature:** -40 to 120°C

**Dimensions:**

PDA1909: 11.8" x 11.8" x 5.9"

(300 mm x 300 mm x 150 mm) (W x H x D)

PDA1939: 13.8" x 17.7" x 7.9"

(350 mm x 450 mm x 200 mm) (W x H x D)

PDA3939: 13.8" x 17.7" x 7.9"

(350 mm x 450 mm x 200 mm) (W x H x D)

**Weight:**

PDA1909: 3.1 lbs (1.4 kg)

PDA1939: 6.4 lbs (2.9 kg)

PDA3939: 8.6 lbs (3.9 kg)

**Warranty:** 1 year

### Steel Enclosure Specifications (PDA2909, PDA2919, PDA2929)

**Material:** Painted Steel

**Color:** Gray

**Controller Mounting Method:** Through cover

**Cover Mounting Method:** Hinge / Screw

**Ratings:** UL Type / NEMA 4, 12, 13

**Approvals:** CSA, UL/C-UL

**Operating Temperature:** -40 to 120°C

**Dimensions:**

PDA2909: 12.0" x 12.0" x 6.0"

(305 mm x 305 mm x 152 mm) (W x H x D)

PDA2919: 12.0" x 14.0" x 8.0"

(305 mm x 356 mm x 203 mm) (W x H x D)

PDA2929: 14.0" x 16.0" x 10.0"

(355 mm x 355 mm x 254 mm) (W x H x D)

**Weight:**

PDA2909: 11.6 lbs (5.3 kg)

PDA2919: 15.6 lbs (7.1 kg)

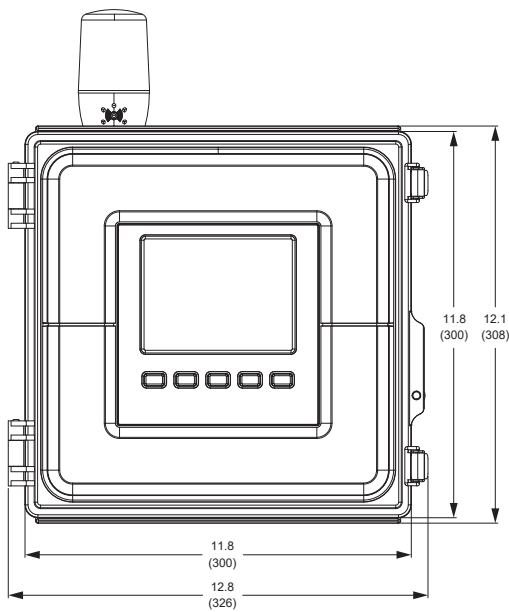
PDA2929: 21.9 lbs (9.9 kg)

**Warranty:** 1 year

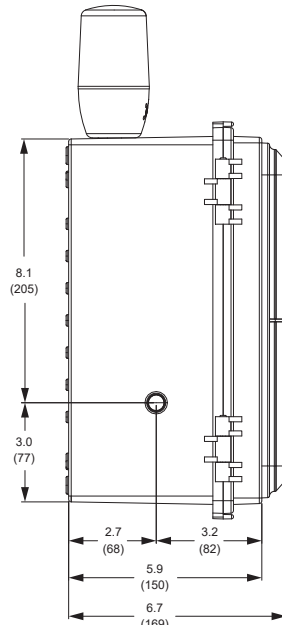
**DIMENSIONS**

**PDA1909 Plastic Enclosure**

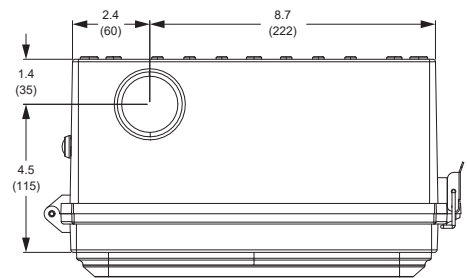
Units: Inches (mm)



Front View

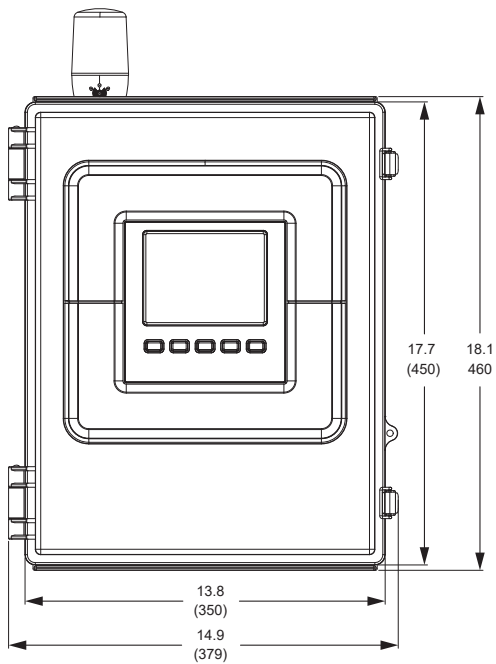


Side View

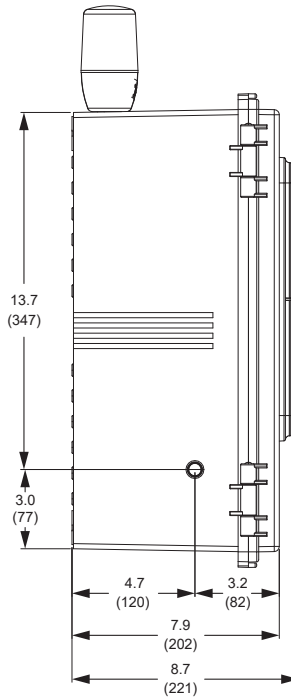


Top View

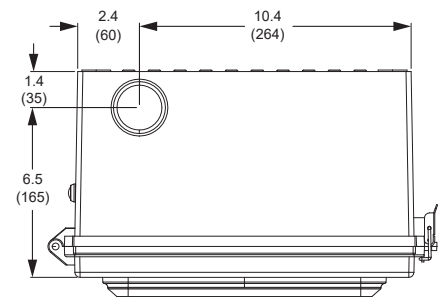
**PDA1939 Plastic Enclosure**



Front View



Side View



Top View

**Notes:**

1. Enclosure shown with optional Light/Horn and Button.
2. Holes for the Light/Horn and Button are only present when MOD-LH is ordered.

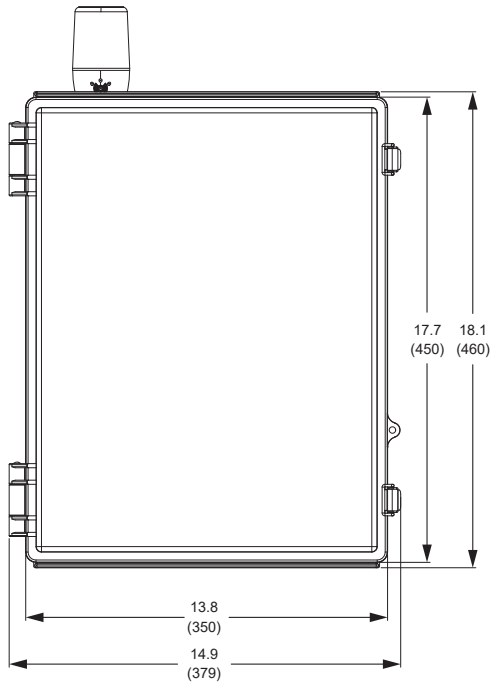


Download free 3-D CAD files of these enclosures to simplify your drawings!

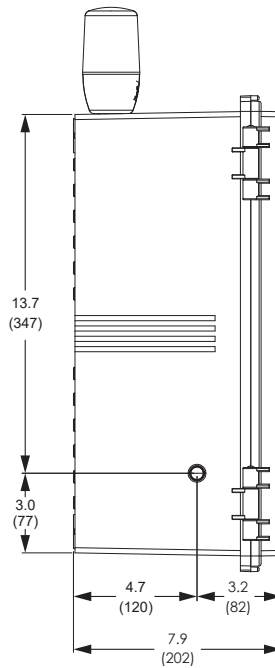
[predig.com/documentation-cad](http://predig.com/documentation-cad)

## PDA3939 Plastic Enclosure

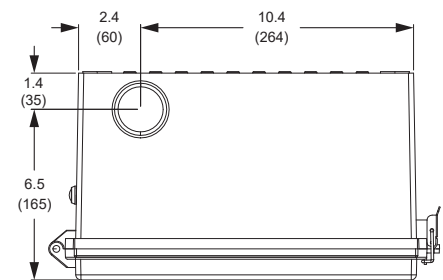
Units: Inches (mm)



Front View

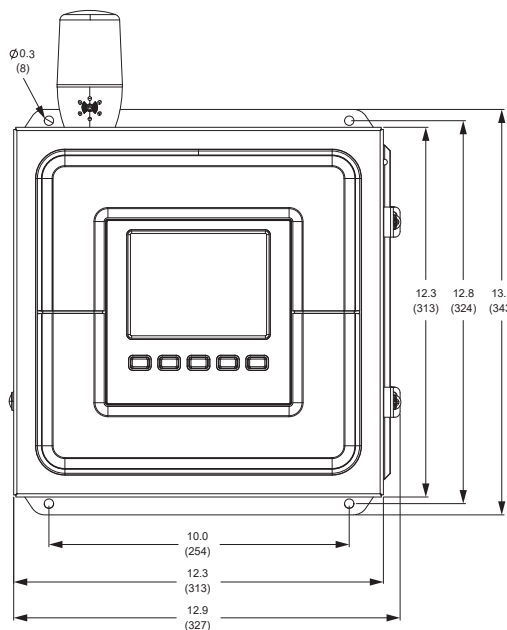


Side View

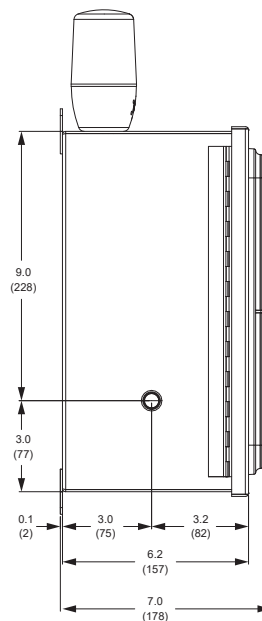


Top View

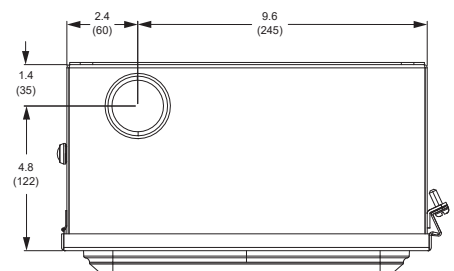
## PDA2909 Steel Enclosure



Front View



Side View



Top View

**Notes:**

1. Enclosure shown with optional Light/Horn and Button.
2. Holes for the Light/Horn and Button are only present when MOD-LH is ordered.

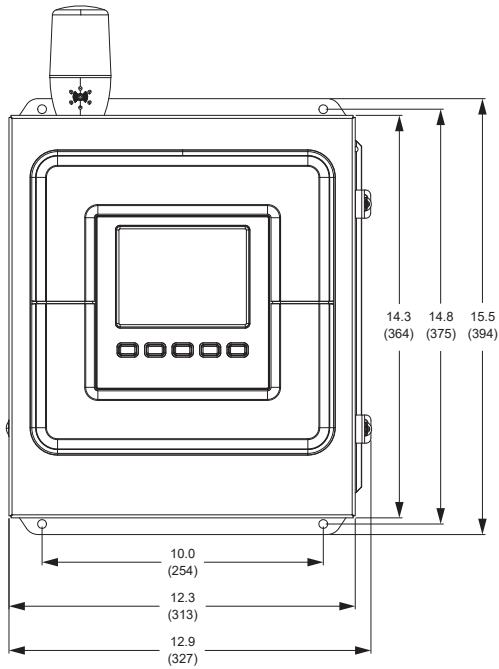


Download free 3-D CAD files of these enclosures to simplify your drawings!

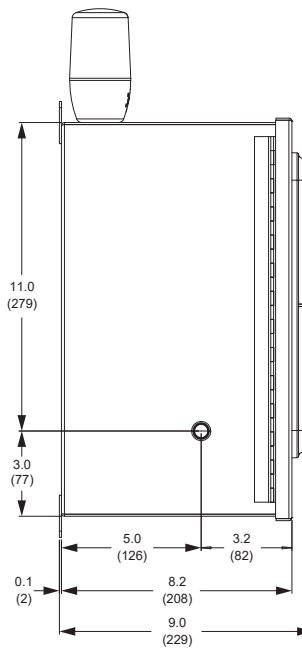
[predig.com/documentation-cad](http://predig.com/documentation-cad)

## PDA2919 Steel Enclosure

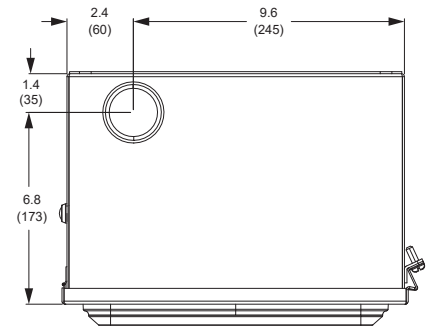
Units: Inches (mm)



Front View

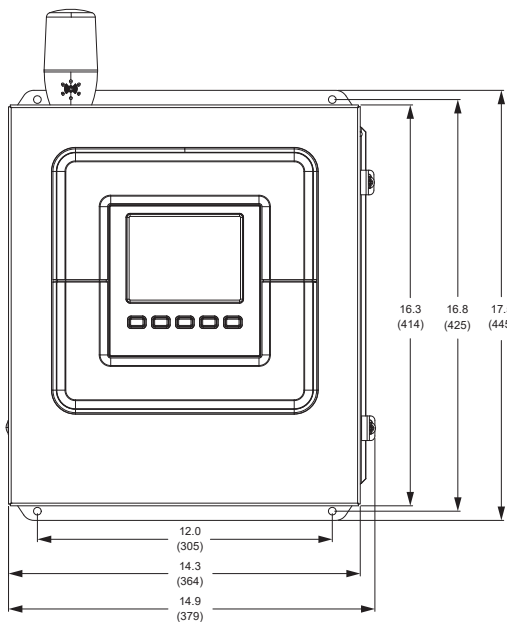


Side View

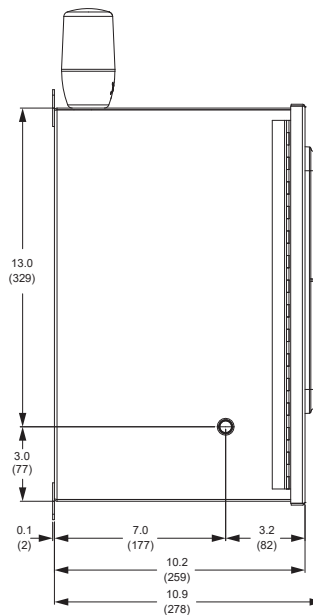


Top View

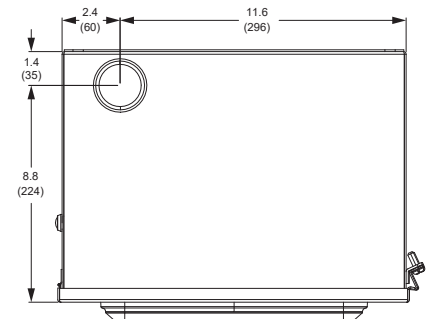
## PDA2929 Steel Enclosure



Front View



Side View



Top View

**Notes:**

1. Enclosure shown with optional Light/Horn and Button.
2. Holes for the Light/Horn and Button are only present when MOD-LH is ordered.



Download free 3-D CAD files of these enclosures to simplify your drawings!

[predig.com/documentation-cad](http://predig.com/documentation-cad)

## ORDERING INFORMATION

### Enclosures

Model	Description
<a href="#">PDA1909</a>	NEMA 4X Plastic Enclosure for One ConsoliDator+ <sup>(1)</sup> Dimensions: 11.8" x 11.8" x 5.9" (300 mm x 300 mm x 150 mm) (W x H x D)
<a href="#">PDA1939</a>	NEMA 4X Plastic Enclosure for One ConsoliDator+ Dimensions: 13.8" x 17.7" x 7.9" (350 mm x 450 mm x 200 mm) (W x H x D)
<a href="#">PDA2909</a>	NEMA 4 Steel Enclosure for One ConsoliDator+ <sup>(1)</sup> Dimensions: 12.0" x 12.0" x 6.0" (305 mm x 305 mm x 152 mm) (W x H x D)
<a href="#">PDA2919</a>	NEMA 4 Steel Enclosure for One ConsoliDator+ Dimensions: 12.0" x 14.0" x 8.0" (305 mm x 356 mm x 203 mm) (W x H x D)
<a href="#">PDA2929</a>	NEMA 4 Steel Enclosure for One ConsoliDator+ Dimensions: 14.0" x 16.0" x 10.0" (355 mm x 406 mm x 254 mm) (W x H x D)
<a href="#">PDA3939</a>	NEMA 4X Plastic Enclosure with Clear Cover for One ConsoliDator+ Dimensions: 13.8" x 17.7" x 7.9" (350 mm x 450 mm x 200 mm) (W x H x D)

All enclosures come with (1) cutout for (1) ConsoliDator+ controller.

- Due to the limited amount of internal space available for these enclosures they are recommended for PD9000s with only a minimal amount of option cards installed.

### Sub-Panels

Model	Description
<a href="#">PDP1909</a>	Plastic Sub-Panel for PDA1909
<a href="#">PDP1939</a>	Plastic Sub-Panel for PDA1939 and PDA3939
<a href="#">PDP2909</a>	Steel Sub-Panel for PDA2909
<a href="#">PDP2919</a>	Steel Sub-Panel for PDA2919
<a href="#">PDP2929</a>	Steel Sub-Panel for PDA2929

### Accessories

Model	Description
<a href="#">MOD-VENT-M</a>	Vents (2) for Metal ConsoliDator+ Enclosure with Holes Drilled for Vents in Enclosure. Enclosure sold separately and assembly required by user.
<a href="#">MOD-VENT-P</a>	Vents (2) for Plastic ConsoliDator+ Enclosure with Holes Drilled for Vents in Enclosure. Enclosure sold separately and assembly required by user.
<a href="#">PDA0007</a>	Ventilation Kit for ConsoliDator+ Enclosures (Includes 2 Vents)
<a href="#">PDA1002</a>	6" DIN Rail Mounting Kit
<a href="#">PDA1024-01</a>	24 VDC Power Supply for DIN Rail
<a href="#">PDA6909-SS</a>	Stainless Steel Pipe Mounting Kit
<a href="#">PDA9000SH</a>	ConsoliDator+ Sun Hood
<a href="#">PDA-SSTAG</a>	Stainless Steel Tag

### Light/Horn Accessories

Model	Description
<a href="#">MOD-BUTTON1B-P</a>	IP67 Blue Pushbutton with Hole Drilled in Plastic Enclosure
<a href="#">MOD-BUTTON1B-S</a>	IP67 Blue Pushbutton with Hole Drilled in Steel Enclosure
<a href="#">MOD-BUTTON1G-P</a>	IP67 Green Pushbutton with Hole Drilled in Plastic Enclosure
<a href="#">MOD-BUTTON1G-S</a>	IP67 Green Pushbutton with Hole Drilled in Steel Enclosure
<a href="#">MOD-BUTTON1R-P</a>	IP67 Red Pushbutton with Hole Drilled in Plastic Enclosure
<a href="#">MOD-BUTTON1R-S</a>	IP67 Red Pushbutton with Hole Drilled in Steel Enclosure
<a href="#">MOD-LHRB1</a>	Red Light/Horn and Button with Holes Drilled in Enclosure <sup>(1)</sup>
<a href="#">MOD-LHGB1</a>	Green Light/Horn and Button with Holes Drilled in Enclosure <sup>(1)</sup>
<a href="#">MOD-LHYB1</a>	Yellow Light/Horn and Button with Holes Drilled in Enclosure <sup>(1)</sup>
<a href="#">MOD-LHBB1</a>	Blue Light/Horn and Button with Holes Drilled in Enclosure <sup>(1)</sup>
<a href="#">MOD-LHWB1</a>	White Light/Horn and Button with Holes Drilled in Enclosure <sup>(1)</sup>
<a href="#">MOD-LH5CB1</a>	Light/Horn with User Choice of Red, Green, Yellow, Blue or White Light, Button, and Holes Drilled in Enclosure <sup>(1)</sup>
<a href="#">MOD-LH3LCB1-RYG</a>	Light Stack/Horn with Red, Yellow, Green Lights, Button, and Holes Drilled in Enclosure <sup>(1)</sup>

**Note:**

- When a MOD-LH is ordered, enclosure comes pre-drilled with holes for Light/Horn and Button to be installed by user. Meter / controller and enclosure are sold separately. The Light/Horn hole is located on the top in the back left corner of the enclosure and the button hole is on the left side of the enclosure. **For mounting in different locations, order items separately and drill holes and mount as desired.**

**Your Local Distributor is:**

**⚠ WARNING**

Cancer and Reproductive Harm - [www.P65Warnings.ca.gov](http://www.P65Warnings.ca.gov)

**Disclaimer**

The information contained in this document is subject to change without notice. Precision Digital Corporation makes no representations or warranties with respect to the contents hereof, and specifically disclaims any implied warranties of merchantability or fitness for a particular purpose.

©2025 Precision Digital Corporation. All rights reserved.

LDS9000-ENC\_E 07/25