



Decals



PD420-461 Set Point Generators & Valve Positioners *OVERVIEW*

Presenter



Joe Ryan
VP of Sales & Marketing

Joe brings more than 15 years of process signal experience in the design, support, manufacturing and marketing of process measurement and control devices. Joe has extensive field and support experience with 4-20 mA loops and devices.



Takeaways

01

Easy, low-cost way to generate a 4-20 mA signal for controlling another device.

02

See a live demonstration of how the PD460 valve positioner works.

03

10 lucky winners of a free PD460 Valve Positioner!

Set Point Generators & Valve Positioners



PD420
Panel Mount
Set Point Generator
(\$149)



PD421
NEMA 4X
Set Point Generator
(\$209)



PD460
Panel Mount
Valve Positioner
(\$149)



PD461
NEMA 4X
Valve Positioner
(\$209)

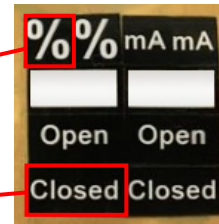
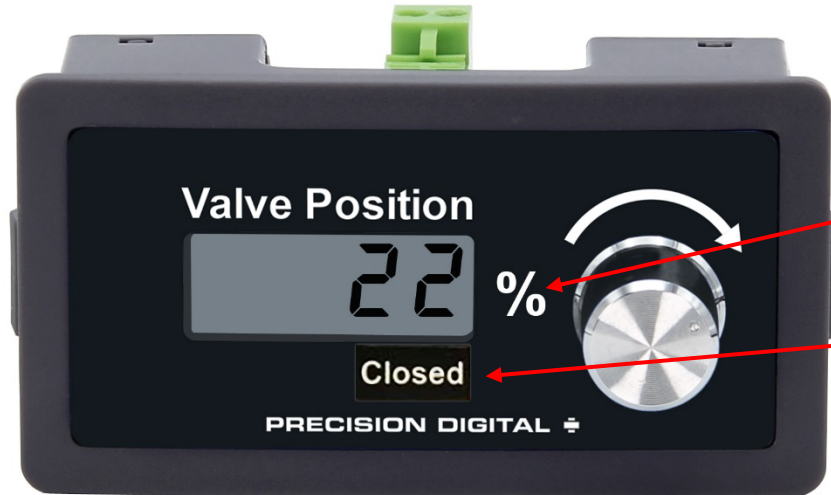
Key Features



- **Panel Mount or NEMA 4X**
- **Set Point Displayed as 0-100%, 4-20 mA, or 3-21 mA**
- **Backlit Display**
- **Power-on at Last Set Point, or Easily Set Default Set Point**
- **Coarse or Fine Set Point Adjustment**
- **$\pm 0.5\%$ Output Accuracy, 0.01 Display Accuracy**
- **15-30 VDC Power Requirement**
- **Decals Provided for %, mA, Open, Closed, and Custom**
- **Low-Cost Solution for an Easy, Manual, 4-20 mA Output**

Decals

Decals are provided for %, mA, Open, and Closed to be applied to the faceplate. Decals with white backgrounds are also provided for custom labeling.



Black Decals for Valve Positioners



Blue Decals for Set Point Generator

Available Enclosures

The material for the enclosures is plastic and they are rated NEMA 4X. The enclosures will house panel mount models PD420 and PD460.



PDA2802



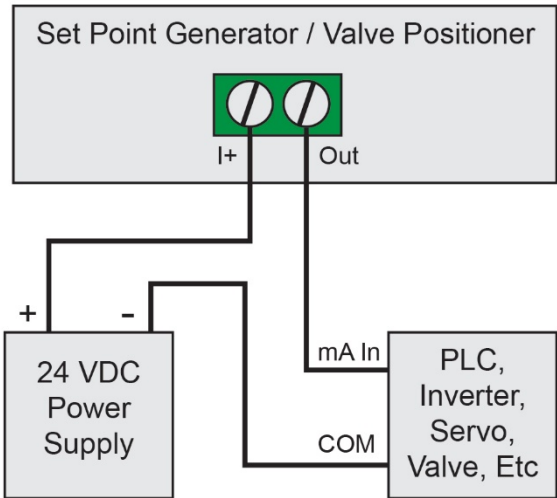
PDA2814



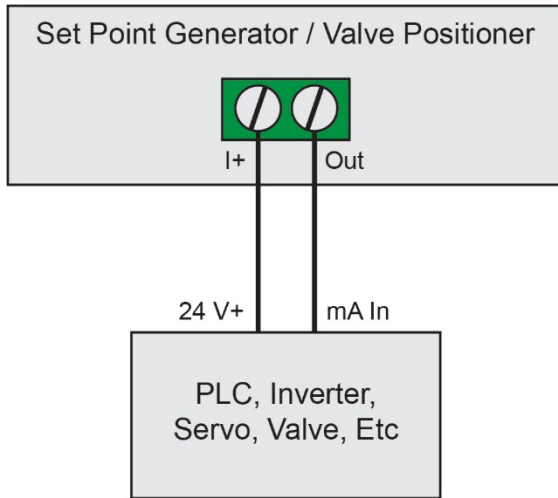
PDA2815

Power Up the PD420-461

The connections are the same for all products.



Powered by the 24 VDC Supply



Powered by Control Device



[Click to See a Live Demonstration
of the PD460 Valve Positioner](#)

Thanks For Attending

If you have any questions or would like to discuss more about these products, then reach out to me.



Joe Ryan
VP of Sales & Marketing

jryan@predig.com

508-315-5231

