

Learn How the New Loop Leader is the Loop-Powered Meter For You



Webinar Presenter



Joe Ryan

Vice President of Sales & Marketing
Precision Digital Corporation

508-315-5231
jryan@predig.com

What You Will Learn in This Webinar



What are loop-powered meters?



Why use loop-powered meters?

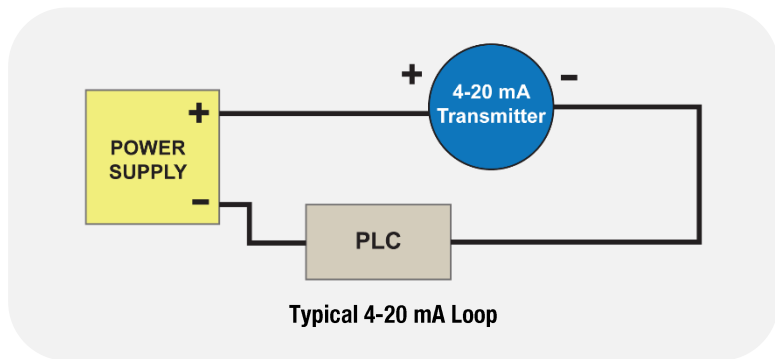


What makes PDC's new Loop Leader a great product?

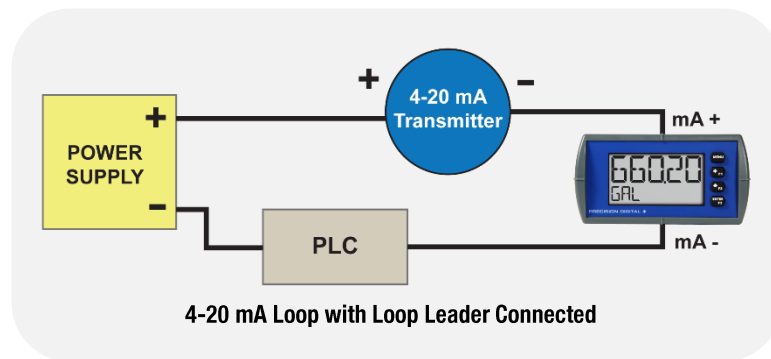
What are Loop-Powered Meters?



By definition, loop-powered meters are meters that are powered off the 4-20 mA loop and therefore require no additional power.



The diagram above shows a typical 4-20 mA loop consisting of a power supply, a transmitter and a PLC.



This diagram shows how a loop-powered meter can be installed in an existing loop just by breaking the loop in a convenient place and wiring it in. No extra power needed.

What are Loop-Powered Meters?

Available in Several Packages

Panel Mount Loop-Powered Meters



PD6602/6 PD6622/26
PD6603/7 PD6624/28
PD6604/8

Explosion-Proof Loop-Powered Meters



PD663 PD6820
PD6800 PD6870
PD6801

NEMA 4X Loop-Powered Meters



PD6700 PD6720
PD6701 PD6770

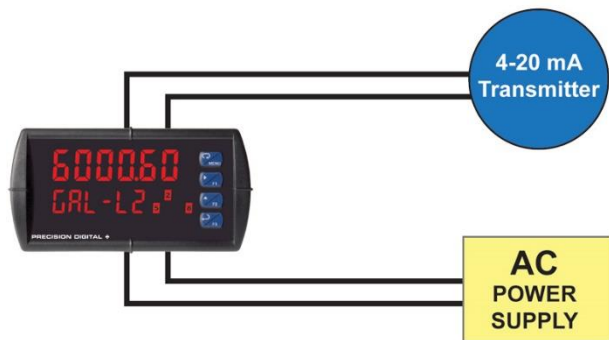
Why Use Loop-Powered Meters?



Why Use Loop-Powered Meters?

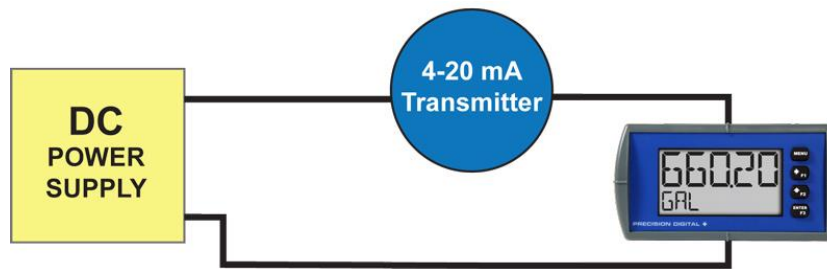
Easier to Install than Line-Powered Meters

- ✓ Line-powered meters require a separate AC or DC power supply to power them.



Four Connections for a Line-Powered Meter

- ✓ Loop-powered meters install simply just by breaking the loop and connecting only two wires.



Only Two Connections for a Loop-Powered Meter

Why Use Loop-Powered Meters?

Local Indication When No Additional Power is Available



- ✓ The level in this tank is being displayed on a loop-powered meter that does not require any additional power other than that provided by the loop.
- ✓ The Loop Leader level meter (shown below) has the same exact display as the loop-powered meter installed at the side of the tank (shown on the left).



Why Use Loop-Powered Meters?

Tank Side Level Indication When Transmitter is on Top of Tank



- ✓ The Loop Leaders in the above picture provide a more convenient way for reading the information from the transmitters on the top of the tanks.



- ✓ The Loop Leader with bargraph provides an easy-to-read visual indication of how full this tank is.

Why Use Loop-Powered Meters?

More Reasons



What Makes The Loop Leader Great?



1.5 Volt Drop



Red Backlight for Alarm



NEMA 4X Front Panel



-40 to 167 F (-40 to 75 C) Safe Area Operating Temperature Range



Free PC-Base USB Programming Software



Two Open collector Outputs



Optional Solid-State Relays



Optional 4-20 mA Analog Output



Conformal Coated PCBs



Hazardous Area Versions Available



IECEX



- ✓ 5-Digit Alphanumeric Top Line
- ✓ 8-Digit Alphanumeric Bottom Line



- ✓ 5-Digit Alphanumeric Top Line
- ✓ 8-Digit Alphanumeric Bottom Line
- ✓ 20-Segment Bargraph w/Numeric Percent



- ✓ Feet & Inches Top Line
- ✓ 8-Digit Alphanumeric Bottom Line
- ✓ 20-Segment Bargraph w/Numeric Percent



- ✓ 5-Digit Alphanumeric Top Line
- ✓ 8-Digit Alphanumeric Bottom Line

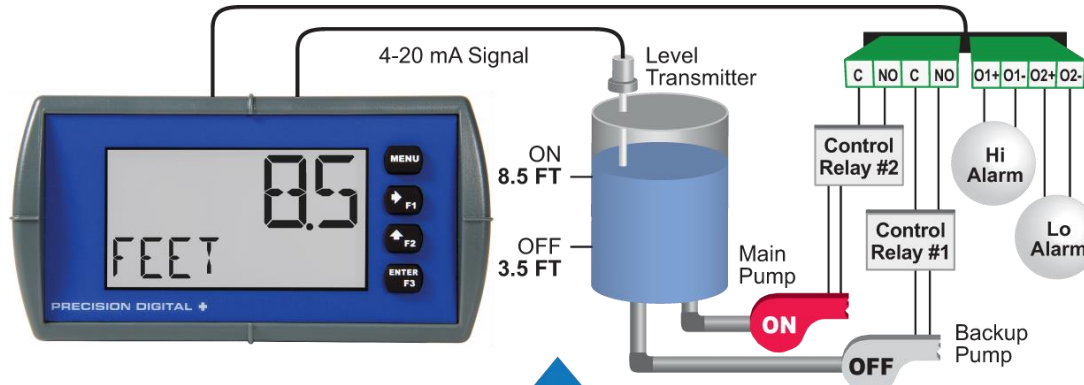
- ✓ 5-Digit Alphanumeric Top Line
- ✓ 8-Digit Alpha numeric Bottom Line
- ✓ 20-Segment Bargraph w/Numeric Percent





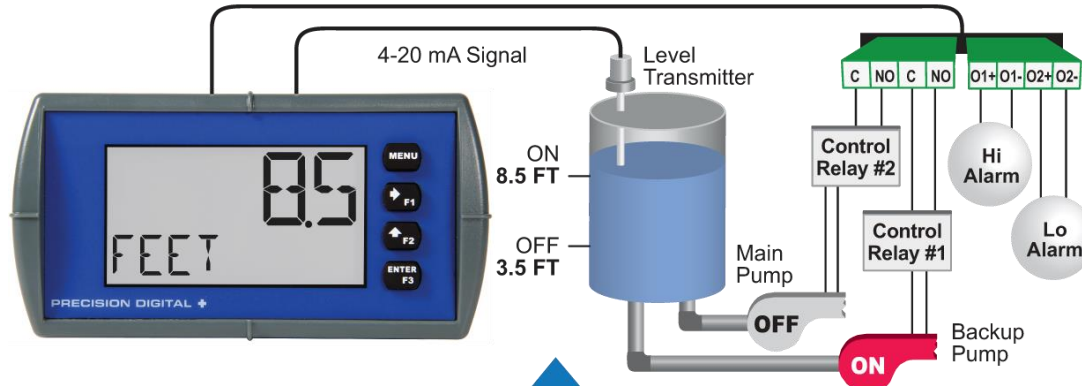
- ✓ Users can use the dual-scale feature to show the input in two different scales.
- ✓ This Loop Leader rate/totalizer is displaying input in gallons per minute and cubic feet per minute.

The Loop Leader's two solid state relays can be used for a variety of applications, including the pump control application shown below.

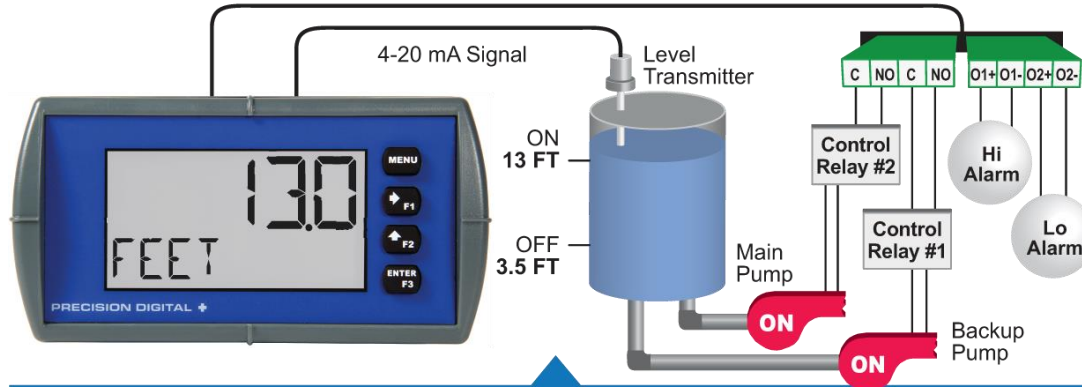


Relay #2 turns the main pump on at 8.5 Feet and turns it off at 3.5 Feet.

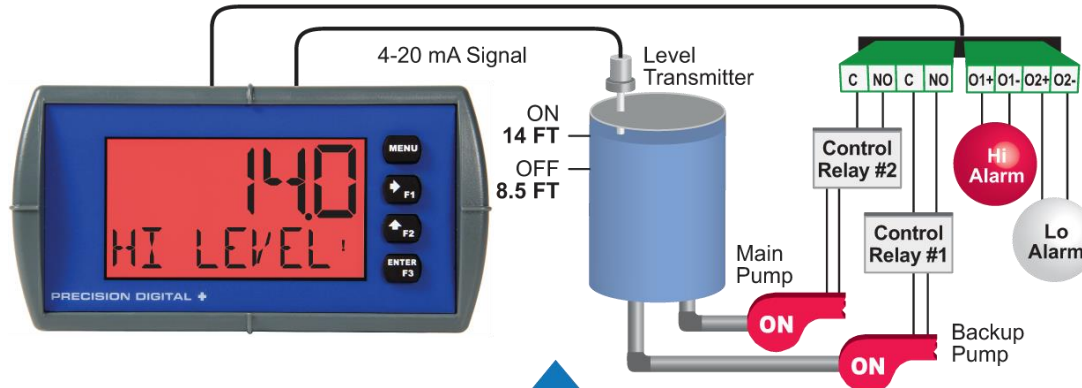
- ✓ Alternate two pumps
- ✓ High and low level alarm indication
- ✓ Alternate on level and run time
- ✓ Display pump run times or number of times they have cycled
- ✓ Intrinsically safe and nonincendive



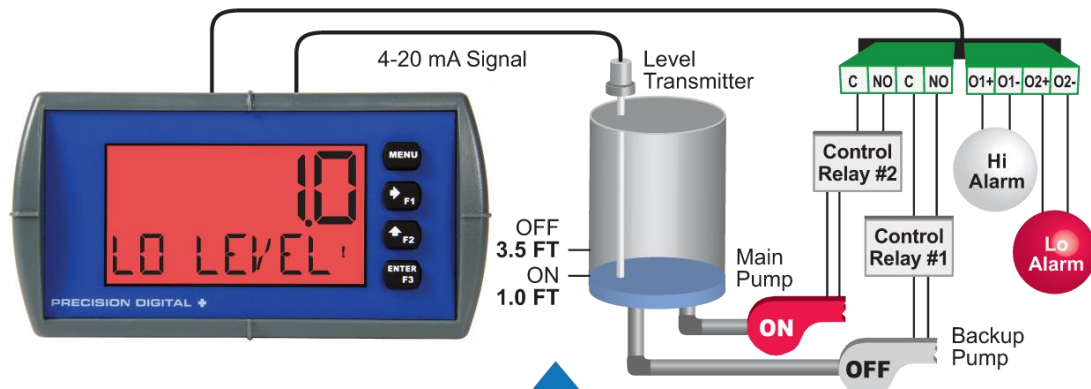
With the Pump Alternation feature activated, the next time the level reaches 8.5 Feet, relay #1 transfers and starts the backup pump.



If the backup pump is not able to keep up, and the level reaches 13.0 Feet, relay #2 transfers and starts the main pump as well.



Open Collector #1 trips the High Level Alarm at 14.0 Feet and causes the display to turn red and flash a HI LEVEL alarm message. The HI alarm resets at 8.5 Feet



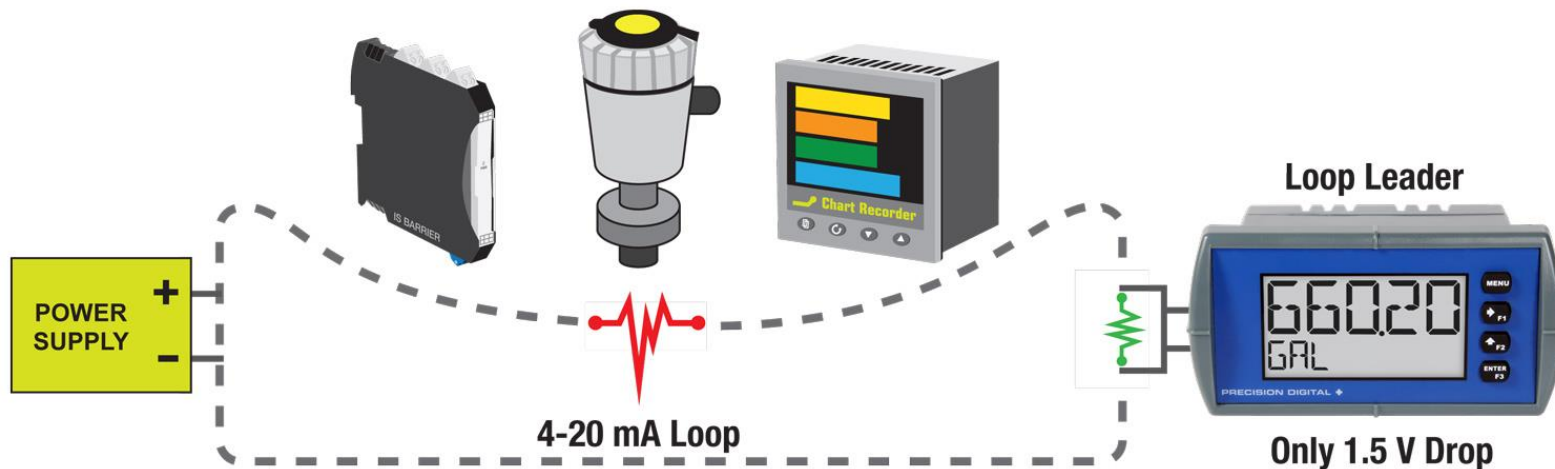
Open Collector #2 trips the Low Level Alarm at 1.0 Foot and causes the display to turn red and flash a LO LEVEL alarm message. The LO alarm resets at 3.5 Feet



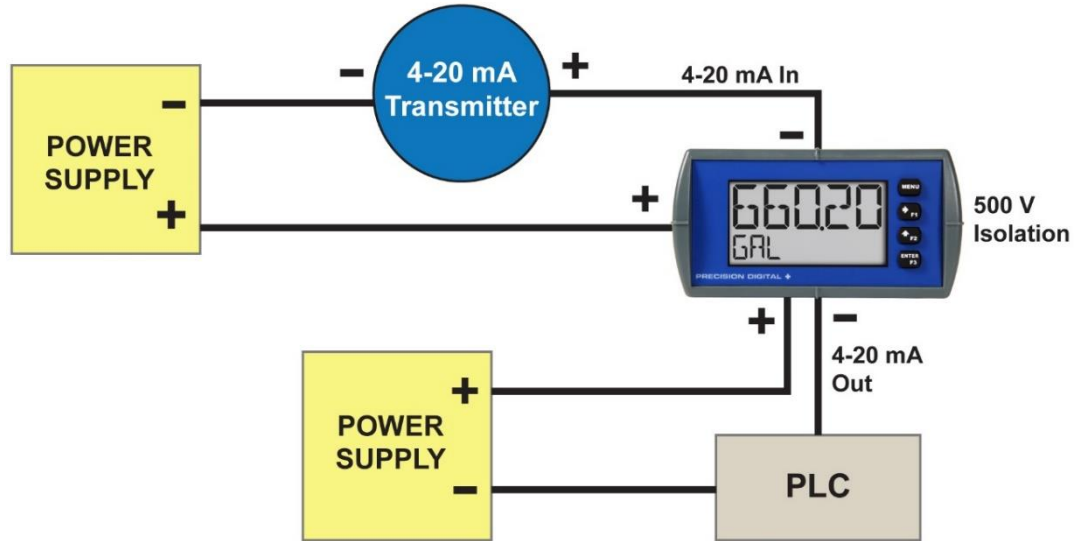
- ✓ The Loop Leader not only can display flow rate and total at the same time, but it can also toggle between rate/total and their units.

Great Product

Only Adds 1.5V to Heavily Burdened Loops







The Loop Leader can be used as a loop-powered loop isolator...
with the added benefit of a digital display!

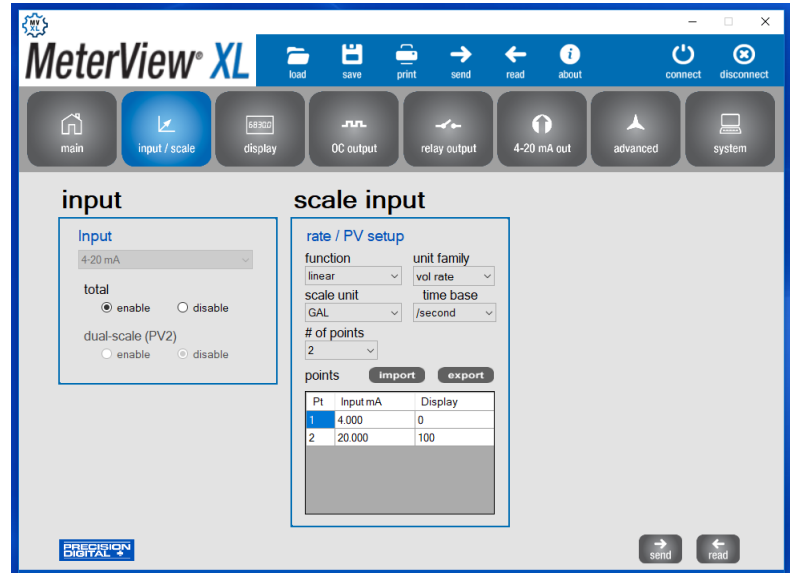
MeterView XL Programming Software

- ✓ Easy Programming of Features Packed Product
- ✓ USB Connection Provides Power During Programming
- ✓ Save & Print Configuration Files without Meter Connected
- ✓ Micro USB Cable Provided

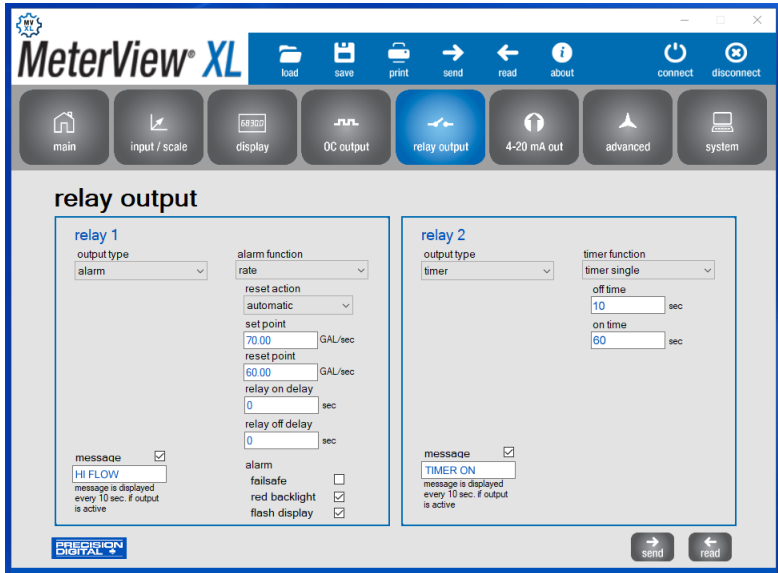




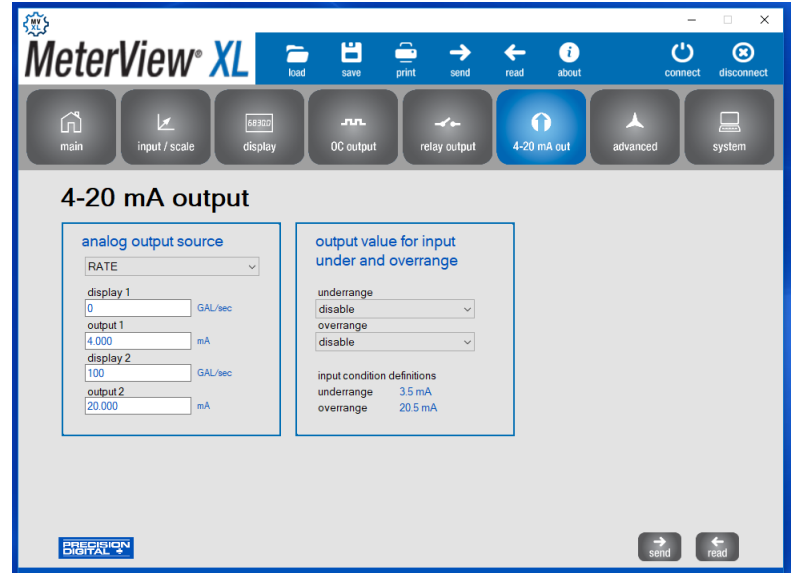
- ✓ **Main** window displays image of connected meter, model number, readings, and status.



- ✓ **Input/Scale** window is used to set the input, enable or disable totalizer or dual-scale feature, and scale the input.



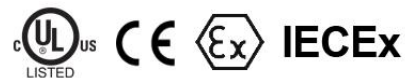
- ✓ **Relay and Open Collector Output** windows are used to assign a specific task to the 2 relays/OCs such as pulse, alarm, timer, total reset, stopwatch, or off.



- ✓ **4-20 mA Output** window is used to program the isolated 4-20 mA output's source, range and overage values.

Great Product

Worldwide Approvals



ATEX: II 1G, Ex ia IIC T4 Ga, Ta = -40°C to +70°C
Certificate number: CML 17ATEX2015X

IECEx: Ex ia IIC T4 Ga, Tamb = -40°C to +70°C
Certificate number: IECEx CML 17.0008X

UL & C-UL Listed as Intrinsically Safe and Nonincendive:

Class I, Division 1, Groups A, B, C and D T4

Class I, Division 2, Groups A, B, C and D T4

Ex ia IIC T4 (Canada); Class I Zone 0, Zone 1,

AEx ia IIC T4 (U.S.)

Class I Zone 2, Group IIC T4 (U.S.)

PROCESS CONTROL EQUIPMENT FOR USE IN HAZARDOUS LOCATIONS

UL & C-UL 61010 Listed for Electrical Safety and Type 4X Environmental:

Standards for Safety:

IEC 61010-1:2010 (3rd Edition);

UL 61010-1, 3rd Edition;

CAN/CSA-C22.2 No. 61010-1-12, 3rd Edition;

Additional Standards: UL 50E

Great Product

Major Improvement Over Old Loop Leader & Competition

	NEW	OLD
Price	Starting at \$194	Starting at \$244
Display	Dual-Line	Single Line
Feet & Inches Display	Available	Not Available
Number of Digits	Five & Eight	Five
Number of Digits for Total	Eight (13 Using top line)	Five
Digit Height	0.70"	0.60"
Engineering Units/Tags	8 Alphanumeric Characters	3 Alphanumeric Characters
Pre-Defined Engineering Units	Standard Feature	Not Available
Bargraph	Vertical, 20-Segment, with Numeric Percentage Display	Horizontal, 20-Segment
Backlight	Yes, with Red on alarm Option	Yes
Programming Method	Front Panel Buttons and USB Programming Softwar	Front Panel Buttons
Voltage Drop	1.5 V (4.7 V with Backlight)	2.0 V (5.7 V with Backlight)
Operating Temperature	-40°C to 75°C (Up to 70°C for Hazardous Areas)	-30°C to 65°C
Accuracy	0.02%	0.03%
Approvals	ATEX IS, UL IS/NI, and IECEx	ATEX IS and FM, CSA IS/NI
Open Collector Output	Two	None
Loop-Powered Relays	Two Solid-State	None
Isolated 4-20 mA Output	One	None
Digital Inputs	One	None
Pump Control Features	Standard Features	Not Available
Function Keys	Standard Features	Not Available
Conformal Coated PCBs	Standard Features	Not Available



Loop Leader Models





- ✓ **PD6602/6**
Process Meter
Decimal Display



- ✓ **PD6603/7**
Level Meter
Feet & Inches
Display + Bargraph



- ✓ **PD6604/8**
Process Meter
Decimal + Bargraph



- ✓ **PD6622/26**
Rate/Totalizer
Decimal Display



- ✓ **PD6624/28**
Rate/Totalizer
Decimal Display
+ Bargraph

Selling Resources Are
Available for Distributors



✓ Customized Flyer



✓ PD6600 Demo Unit



✓ Loop Leader Selling Guide

Where Can You Get
More Information About
The Loop Leader?

More Information



Visit us at
predig.com/loopleader



Download datasheets
from predig.com



Email us at
sales@predig.com



Call us at
800-343-1001



Joe Ryan
VP of Sales & Marketing
Precision Digital Corp.
508-315-5231
jryan@predig.com

thank you