

PDA18DINSH Stainless Steel Sun Hood for 1/8 DIN Panel Meters

Instruction Manual



Meter sold separately

FEATURES

- Provides Shade for 1/8 DIN Digital Panel Meters
- Made from 18 Gauge 316 Stainless Steel
- Easy Mounting Requires no Drilled Holes in the Panel
- Includes Gasket to Maintain NEMA 4X Seal

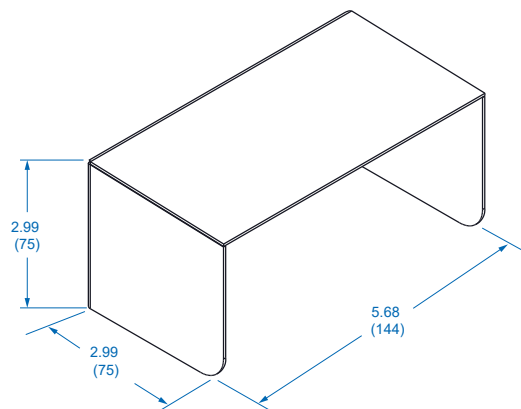
INTRODUCTION

The PDA18DINSH Sun Hood improves the readability of 1/8 DIN digital panel meters when they are mounted in direct sunlight by shading the instrument from the sun.

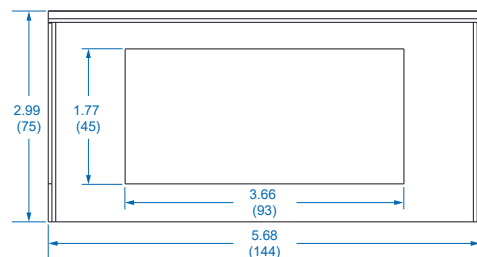
The Sun Hood is made from 18 gauge 316 stainless steel and mounts between the 1/8 DIN digital panel meter and the panel. In addition, a gasket is provided that installs between the Sun Hood and the panel to provide a NEMA 4X seal to the panel. The whole assembly is held in place by the panel meter's mounting brackets.

DIMENSIONS

Units: Inches (mm)



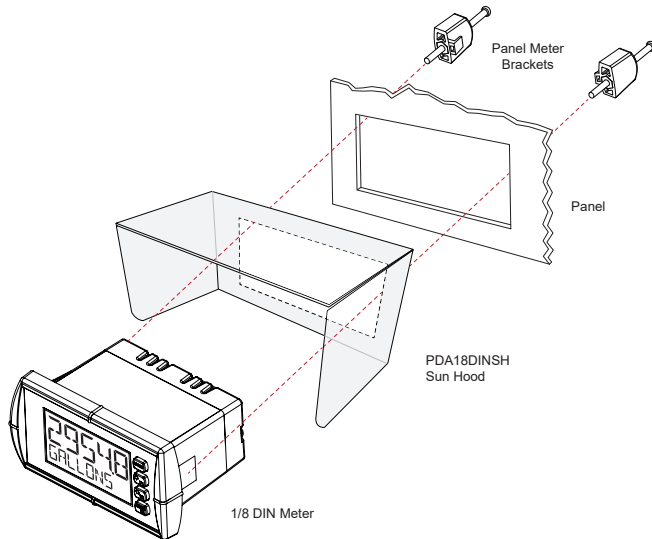
PDA18DINSH Overall Dimensions



PDA18DINSH 1/8 DIN Cutout

MOUNTING INSTRUCTIONS

1. Slide the back side of the meter through the cutout on the front side of the Sun Hood.
2. Slide the meter and Sun Hood through the cutout on the front side of the panel.
3. Attach the mounting brackets to the sides of the meter behind the panel and tighten the screws to secure the the meter and Sun Hood to the panel.



Back Side of PDA18DINSH Sun Hood

Note: The PDA18DINSH includes a gasket that is already attached to the back side of the Sun Hood.

SPECIFICATIONS

Material	18 gauge 316 stainless steel
Overall Dimensions	2.99" x 5.68" x 2.99" (H x W x D) (75 mm x 144 mm x 75 mm)
Weight	0.9 lb (0.4 kg)
Gasket Material	Silicone Foam

ORDERING INFORMATION

PDA18DINSH	Stainless Steel Sun Hood for 1/8 DIN Panel Meters
----------------------------	---

Note: The PDA18DINSH has been designed and tested to work with Precision Digital manufactured 1/8 DIN digital panel meters. The expectation is that the Sun Hood will work with other brands of 1/8 DIN digital panel meters, but no guarantee is provided.

ENCLOSURES

The following table shows the compatibility of Precision Digital enclosures with the Sun Hood:



Number of Meters	PDA2300 NEMA 4X Plastic	PDA2600 NEMA 4X Stainless Steel	PDA2700 NEMA 4 Steel	PDA2800 NEMA 4 & 4X Low Cost Plastic	PDA3400 Internally Mounted NEMA 4X Plastic
1	PDA2301	PDA2601	PDA2701	PDA2811	None
2	PDA2302	PDA2602	PDA2702	PDA2812	None
3	PDA2303	PDA2603	PDA2703	None	None
4-6	None	None	None	None	None

Disclaimer

The information contained in this document is subject to change without notice. Precision Digital Corporation makes no representations or warranties with respect to the contents hereof, and specifically disclaims any implied warranties of merchantability or fitness for a particular purpose.

©2023 Precision Digital Corporation. All rights reserved.



WARNING
Cancer and Reproductive Harm - www.P65Warnings.ca.gov

LIM18DINSH_A 07/23