

**PRECISION
DIGITAL** 

PRECISION DIGITAL CORPORATION
Since 1974

2018 CATALOG








**DIGITAL DISPLAYS &
CONTROLLERS**

**1-800-343-1001
www.predig.com**



PRECISION DIGITAL CORPORATION

Since 1974

-  Level
-  Pump Alternation
-  Flow
-  Batch Control
-  Wireless Systems
-  Temperature
-  Pressure
-  Hazardous Area
-  Multivariable
-  Apparent Power
-  Alarms

Why Precision Digital?



2-3 Day Availability



3-Year Warranty



40+ Years of Engineering



Worldwide Approved

Table of Contents

	INDUSTRIAL WIRELESS
6	Wireless Systems
7	Wireless Accessories
	PROCESS INPUTS
8	Panel, Field & Explosion-Proof Meters
12	PID Controllers
13	Multi-Channel Controllers
14	Loop-Powered Meters
21	Panel, Field & Exp-Proof Batch Controllers
22	Panel, Field & Exp-Proof Flow Rate Totalizers
24	Loop-Powered Flow Rate Totalizers
	PULSE INPUTS
26	Panel, Field & Exp-Proof Flow / Rate Totalizers
29	Multi-Channel Controllers
30	Panel, Field & Exp-Proof Batch Controllers
	TEMPERATURE INPUTS
32	Panel, Field & Explosion-Proof Meters
34	PID & Limit Controllers
35	Scanners
	MODBUS RTU INPUTS
36	Panel, Field & Explosion-Proof Scanners
	STRAIN GAUGE INPUTS
40	Panel, Field & Explosion-Proof Meters
	HIGH VOLTAGE & CURRENT INPUTS
41	Panel & Field Meters
	ALARM ANNUNCIATORS
42	Panel & Exp-Proof 4-Point Alarm Annunciators
42	Panel & Exp-Proof 8-Point Alarm Annunciators
	ACCESSORIES
43	General Accessories
	ENCLOSURES
44	NEMA 4 & NEMA 4X Enclosures
	SOFTWARE
46	PC Programming Software

Index

PD2-6000	8	PD981	13, 29
PD2-6001	10	PD6000	8
PD2-6060	9	PD6001	10
PD2-6080	38	PD6060	9
PD2-6081	39	PD6080	38
PD2-6100	40	PD6081	39
PD2-6200	22	PD6088	37
PD2-6210	21	PD6089	37
PD2-6262	23	PD6100	40
PD2-6300	26	PD6200	22
PD2-6310	30	PD6210	21
PD2-6363	27	PD6262	23
PD2-6400	41	PD6300	26
PD2-7000	32	PD6310	30
PD8-154	42	PD6310-WM	31
PD8-158	42	PD6363	27
PD8-765	11, 33	PD6400	41
PD8-6000	8	PD6602	17
PD8-6001	10	PD6603	17
PD8-6060	9	PD6604	17
PD8-6080	38	PD6606	17
PD8-6081	39	PD6607	17
PD8-6100	40	PD6608	17
PD8-6200	22	PD6622	25
PD8-6210	21	PD6624	25
PD8-6262	23	PD6626	25
PD8-6300	26	PD6628	25
PD8-6310	30	PD6700	18
PD8-6310-WM	31	PD6701	19
PD8-6363	27	PD6720	24
PD8-7000	32	PD6730	28
PD138	35	PD6730X	36
PD154	42	PD6770	20
PD158	42	PD6800	18
PD540	12, 34	PD6801	19
PD570	34	PD6820	24
PD603	12	PD6830	28
PD644	41	PD6830X	36
PD662	15	PD6870	20
PD663	15	PD7000	32
PD685	14	PDA10	7
PD686	14	PDS178	35
PD743	34	PDW30	6
PD765	11, 33	PDW90	6
PD765 X2	11, 33		
PD940	13, 29		
PD941	13, 29		
PD980	13, 29		

What's New



New Loop Leader Series Approvals for Hazardous & Safe Areas

The Loop Leader PD6600 Series is now available with a variety of safe and hazardous area approvals. Hazardous area models are UL and C-UL listed as intrinsically safe and nonincendive, and ATEX and IECEX Certified for intrinsic safety (gas atmospheres). These models are also UL and C-UL Listed for electrical safety and Type 4X front panel. All models are CE marked.



ATEX & IECEX Intrinsically Safe
(Hazardous area models only)



UL & C-UL Intrinsically Safe and Nonincendive
(Hazardous area models only)



UL 61010-1 General Safety Standard
(Hazardous area models only)



European Conformity (All models)
EMC, RoHS, and Low Voltage Directives



Free Download

www.predig.com/meterviewxl

MeterView XL Software

Free software for setup of any Loop Leader meter. This makes the Loop Leader Series the first line of 1/8 DIN loop-powered meters that can be programmed with a PC via micro USB cable.



Intrinsically Safe PD685

The PD685 is now ATEX and IECEX Certified as an intrinsically safe device for use in hazardous areas. The PD685 also has a new look, including a new LCD with larger and easier to read digits and a backlit display.



Helios Now UL Listed



The Helios large displays and controllers are now UL and C-UL Listed. With its NEMA 4X, IP65 rating, they can operate in the harshest conditions. And their super bright display means they can be seen in the brightest sun!

Product Overview



Complete Line of Displays & Controllers

Whether you need a panel meter, a large display for reading from far away in bright sunlight, or an explosion-proof meter for a hazardous area, we have the right display and controller solution.

- All the common inputs
- 1/8 DIN, wall mount, and exp-proof
- All the same inputs and outputs
- All the same programming
- All the same applications
- Free PC-based programming software
- Wide variety of agency approvals



Industrial Wireless Systems

Our wireless solutions can make previously inaccessible or cost-prohibitive applications more feasible. They're an easy way to get 4-20 mA, discrete, or Modbus signals from where you have them to where you need them.

- Signal wire replacement in tough industrial environments
- Simple to order, configure, & install
- Handles 4-20 mA, digital, and RS-485 Modbus signals
- 1 mile line-of-sight, 500 ft indoor range



1/8 DIN Panel Meters

- Standard & large display options
- NEMA 4X front panel
- UL Listed
- Shallow depth enclosure
- Relays, 4-20 mA output, and transmitter power options

Loop-Powered Meters

- 1/8 DIN, field mount, and exp-proof
- Bright backlit LCD displays
- Solid state relays, retransmission, and output options available
- Agency approved models
- Wide operating temperature ranges

Additional Products

- Multi-channel controllers
- PID controllers
- Alarm annunciators
- Temperature & process scanners
- NEMA 4X enclosures

Industrial Wireless Systems



Configure a system at www.predig.com/wireless



PDW MANAGER PROGRAMMING SOFTWARE

For System	PDW30, PDW90 Windows XP, Vista, 7, 8, 10
Configure	One device at a time
Install	Free download
Comm.	USB

FEATURES

- Program base stations from PC
- Program field units from a PC

REQUIRED CABLE

Free USB cable included with units for programming only

WHY YOU SHOULD BUY

- Reduce Installation Costs
- Wire Replacement
- Easy Setup
- Rugged Enclosures
- Point to Point
- Point to Multi-Point
- Signal Strength Survey Tool

POINT TO POINT PDW30

Display	32-character Dual-line dot matrix LCD display
Enclosure	NEMA 4X / IP68 Field-mount
Power	12-28 VDC
Operating Temp	-40 to 65°C

SPECIFICATIONS

Inputs	4-20 mA; 0-10 V, 0-5 V, 1-5 V; 4 digital I/O; RS-485 Modbus
Range	1 mile outdoor line-of-sight, 500 feet indoors
Frequency	900 MHz

PDW30 FEATURES

- Signal wire replacement in tough industrial environments
- Simple to order, configure, & install
- Handles 4-20 mA, digital, and RS-485 Modbus signals at same time
- 1 mile line-of-sight, 500 ft indoor range
- Rugged, NEMA 4X, IP68 cast aluminum enclosure
- Inputs and outputs on both field units
- 900 MHz

OPTIONS

- Repeater kit with remote antenna
- Remote antennas

POINT TO MULTI-POINT PDW90

Field Units Display	32-character Dual-line dot matrix LCD display
Enclosure	NEMA 4X base station NEMA 4X / IP68 field units Field-mount
Power	24 VDC
Operating Temp	-40 to 65°C

PDW90 BASE STATION FEATURES

- Point to multi-point signal wire replacement in tough industrial environments
- PDW Manager programming software
- Handles 4-20 mA, digital, and RS-485 Modbus signals
- 1 mile line-of-sight, 500 ft indoor range
- Up to 32 field units
- Up to 16 I/O expansion modules

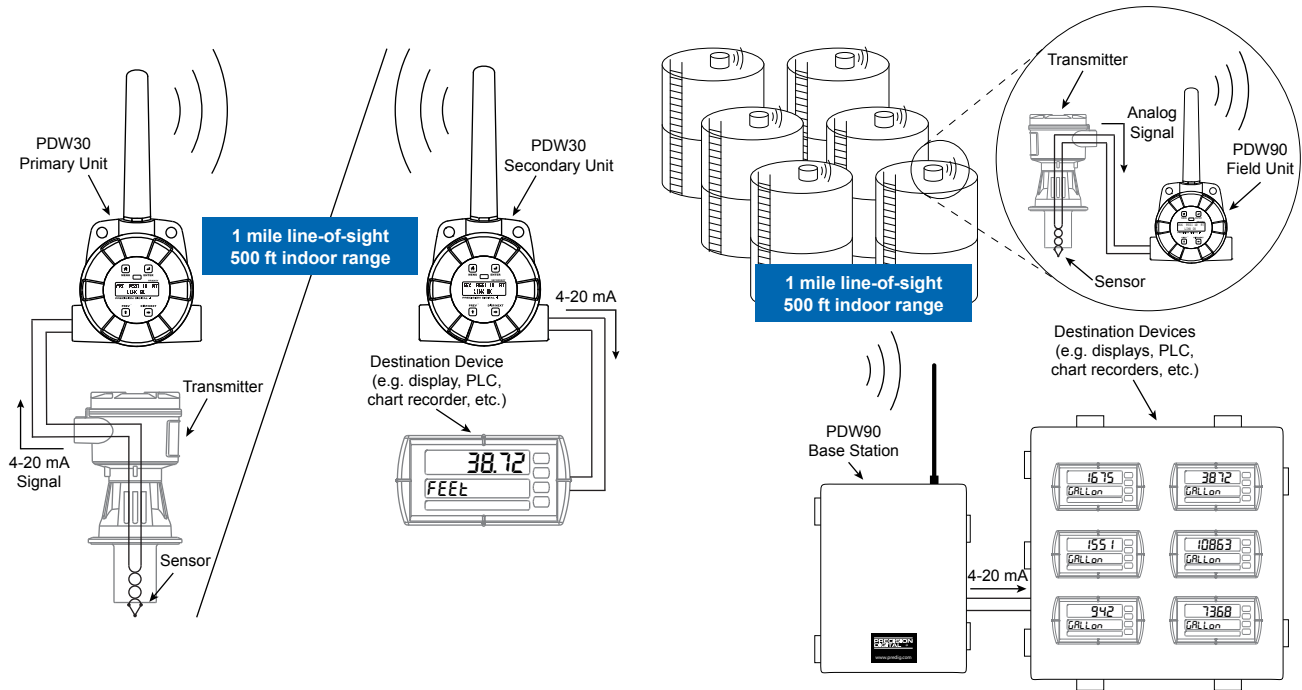
FIELD UNITS FEATURES

- See PDW30 features

OPTIONS

- Analog input, analog output, relay output, and digital I/O cards
- Repeater kit with remote antenna
- Remote antennas

Wireless Applications



POINT TO POINT WIRELESS SYSTEM

The PDW30 is plug and play ready out of the box to wirelessly bridge a 4-20 mA signal. In addition, the PDW30 can also transmit 4 digital I/O signals and RS-485 Modbus.

TYPICAL PDW90 POINT TO MULTI-POINT SYSTEM

Wireless remote monitoring of tank levels is a great application for the PDW90 as illustrated above. Multiple transmitters are outputting 4-20 mA signals to wireless field units. The 4-20 mA signals are being wirelessly broadcasted to the PDW90 base station which then sends 4-20 mA signals to the destination devices.

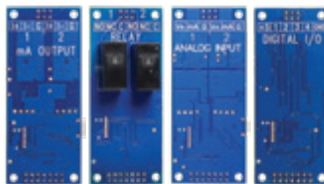
Wiring diagrams do not include power wiring

Wireless Accessories



PDA10 PDW WIRELESS SIGNAL STRENGTH SURVEY TOOL

- Stand-alone or with PDW30 / PDW90
- 1 mile line-of-sight, 500 ft indoor range
- Includes a handheld unit & target unit
- Great for testing signal strength at desired installation



PDW90 BASE STATION EXPANSION MODULES

- PDA90-CA:** Dual analog input
- PDA90-CD:** Four digital I/O
- PDA90-CR:** Dual relay output
- PDA90-CT:** Dual analog output



PDW30-RNA WIRELESS REPEATERS

PDW30-RNA: Repeater for PDW30 & PDW90 systems. Increases range an additional 1 mile line-of-sight, 500 ft indoors

Process Meters



1/8 DIN PANEL METER PD6000

Display	Dual-line 6-digit 0.60" (15 mm) 0.46" (12 mm) SunBright Option
Enclosure	NEMA 4X / IP65 front 1/8 DIN
Approvals	UL, CE
Setup	4 Front Panel Buttons MeterView Pro



LARGE DISPLAY WALL MOUNT PD2-6000

Display	Dual-line 6-digit 1.80" (46 mm) 1.80" (46 mm) SunBright
Enclosure	NEMA 4X / IP65 Wall Mount
Approvals	UL
Setup	4 Inside Panel Buttons MeterView Pro



EXPLOSION-PROOF PD8-6000

Display	Dual-line 6-digit 0.60" (15 mm) 0.46" (12 mm) SunBright
Enclosure	NEMA 4X, 7, 9 / IP68 Explosion-proof
Approvals	FM, SIL, Ex, CE
Setup	4 SafeTouch Buttons MeterView Pro



PROGRAMMING SOFTWARE

On-board USB & MeterView Pro programming software

WHY YOU SHOULD BUY

Display, Control, Alarm, Re-Transmit

Powers the Transmitter

Install Virtually Anywhere

Use in All 4-20 mA Loops

Most Popular Products

SPECIFICATIONS

Input	0-20 mA, 4-20 mA; ±10 VDC (0-5, 1-5, 0-10 V); Modbus PV (slave)
Power	85-265 VAC or 12-24 VDC option
Operating Temp	-40 to 65°C

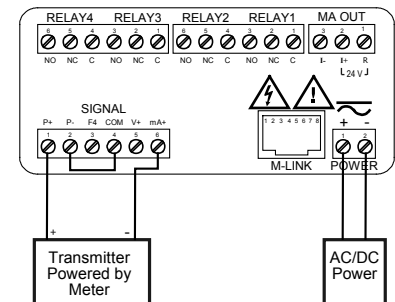
FEATURES

- 1/8 DIN, wall mount, & explosion-proof
- Dual-line 6-digit display
- Isolated 24 VDC transmitter power supply
- Free PC-based USB programming SW
- Super bright display
- Wide variety of agency approvals
- Modbus RTU communication protocol
- Dual-scale for level applications
- Round horizontal tank formula
- Pump control
- 32-point, square root, or exponential linearization

OPTIONS

- Isolated 4-20 mA output
- 2 or 4 form C internal relays
- RS-232 & RS-485 serial communications

POWER THE TRANSMITTER



- Power the transmitter
- Simplify wiring
- Reduce costs

Dual Input Process Meters



1/8 DIN PANEL METER PD6060

Display	Dual-line 6-digit 0.60" (15 mm) 0.46" (12 mm) SunBright option
Enclosure	NEMA 4X / IP65 front 1/8 DIN
Approvals	UL, CE
Setup	4 Front Panel Buttons MeterView Pro



LARGE DISPLAY WALL MOUNT PD2-6060

Display	Dual-line 6-digit 1.80" (46 mm) 1.80" (46 mm) SunBright
Enclosure	NEMA 4X / IP65 Wall Mount
Approvals	UL
Setup	4 Inside Panel Buttons MeterView Pro



EXPLOSION-PROOF PD8-6060

Display	Dual-line 6-digit 0.60" (15 mm) 0.46" (12 mm) SunBright
Enclosure	NEMA 4X, 7, 9 / IP68 Explosion-proof
Approvals	FM, SIL, Ex, CE
Setup	4 SafeTouch Buttons MeterView Pro



PROGRAMMING SOFTWARE

On-board USB & MeterView Pro programming software

WHY YOU SHOULD BUY

Display, Control, Alarm, Re-Transmit

Powers the Transmitters

Install Virtually Anywhere

Use in all 4-20 mA Loops

Two Inputs

SPECIFICATIONS

Input	Dual 0-20 mA, 4-20 mA; ± 10 VDC (0-5, 1-5, 0-10 V); Modbus PV (slave)
Power	85-265 VAC or 12-24 VDC option
Operating Temp	-40 to 65°C

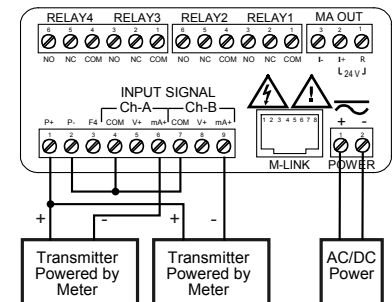
FEATURES

- 1/8 DIN, wall mount, & explosion-proof
- Dual-line 6-digit display
- Dual isolated 24 VDC transmitter power
- Displays two inputs simultaneously
- Math functions capabilities
- Free PC-based programming software
- Super bright display
- Wide variety of agency approvals
- Modbus RTU communication protocol
- Pump control
- Dual-scale for level applications

OPTIONS

- Isolated 4-20 mA output
- 2 or 4 form C internal relays
- RS-232 & RS-485 serial communications

POWER THE TRANSMITTERS



- Power two transmitters
- Simplify wiring
- Reduce costs

Feet & Inches Level Meters



1/8 DIN PANEL METER PD6001

Display	Dual-line 6-digit 0.60" (15 mm) 0.46" (12 mm) SunBright option
Enclosure	NEMA 4X / IP65 front 1/8 DIN
Approvals	UL, CE
Setup	4 Front Panel Buttons MeterView Pro



LARGE DISPLAY WALL MOUNT PD2-6001

Display	Dual-line 6-digit 1.80" (46 mm) 1.80" (46 mm) SunBright
Enclosure	NEMA 4X / IP65 Wall Mount
Approvals	UL
Setup	4 Inside Panel Buttons MeterView Pro



EXPLOSION-PROOF PD8-6001

Display	Dual-line 6-digit 0.60" (15 mm) 0.46" (12 mm) SunBright
Enclosure	NEMA 4X, 7, 9 / IP68 Explosion-proof
Approvals	FM, SIL, Ex, CE
Setup	4 SafeTouch Buttons MeterView Pro



PROGRAMMING SOFTWARE

On-board USB & MeterView Pro programming software

WHY YOU SHOULD BUY

Display, Control, Alarm, Re-Transmit

Powers the Transmitter

Install Virtually Anywhere

Prefer Tank Height Displayed in Feet & Inches - Not Decimal

SPECIFICATIONS

Input	0-20 mA, 4-20 mA; ±10 VDC (0-5, 1-5, 0-10 V); Modbus PV (slave)
Power	85-265 VAC or 12-24 VDC option
Operating Temp	-40 to 65°C

FEATURES

- 1/8 DIN, wall mount, and explosion-proof versions
- Dual-line 6-digit display
- Isolated 24 VDC transmitter power supply
- Feet & inches display ideal for level applications
- Displays up to 99 feet 11 inches & 7/8 or 15/16
- Free PC-based USB programming software
- Super bright display
- Wide variety of agency approvals
- Modbus RTU communication protocol standard
- Pump control
- Dual-scale for height and volume / percentage

OPTIONS

- Isolated 4-20 mA output
- 2 or 4 form C internal relays
- RS-232 & RS-485 serial communications



See pages 17 & 19 for loop-powered feet & inches meters

Process & Temperature Meters



Trident Virtual Meter
tvm.predig.com



TRIDENT

1/8 DIN PANEL METER PD765

Display	4-digit 0.56" (14.2 mm)
Enclosure	NEMA 4X / IP65 front 1/8 DIN
Approvals	UL, CE
Setup	4 Front Panel Buttons MeterView Copy Feature



TRIDENT X2

1/8 DIN PANEL METER PD765 X2

Display	4-digit 1.20" (30.5 mm)
Enclosure	NEMA 4X / IP65 front 1/8 DIN
Approvals	UL, CE
Setup	4 Front Panel Buttons MeterView Copy Feature



ProtEX
 MAX

EXPLOSION-PROOF PD8-765

Display	4-digit 1.20" (30.5 mm)
Enclosure	NEMA 4X, 7, 9 / IP68 Explosion-Proof
Approvals	FM, SIL, CE
Setup	4 SafeTouch Buttons MeterView Copy Feature



PROGRAMMING SOFTWARE

MeterView programming and monitoring software free download

WHY YOU SHOULD BUY

Display, Control, Alarm, Re-Transmit

Powers the Transmitter

Install Virtually Anywhere

Process & Temperature Inputs

Most Popular Products

SPECIFICATIONS

Input	Process: 0-20 mA, 4-20 mA; ±10 VDC (0-5, 1-5, 0-10 V) Temperature: Thermocouple J, K, T, E; RTD 100 Ω Pt
Power	85-265 VAC or 12-36 VDC option
Operating Temp	-40 to 65°C

FEATURES

- 1/8 DIN and explosion-proof versions
- Standard & supersized display options
- Sunlight readable display
- Isolated 24 VDC transmitter power supply option
- Field selectable process and temperature inputs
- 1° or 0.1° resolution with RTD & type T thermocouple
- Free PC-based programming and monitoring software
- Wide variety of agency approvals
- Maximum / minimum display
- Linear or square root with low-flow cutoff
- Modbus RTU

OPTIONS

- 2 relays and 4-20 mA analog output
- 24 VDC transmitter power supply
- Dual 24 VDC transmitter power supplies
- USB, RS-232, & RS-485 serial communications

Low-Cost Process Meter



Sabre Series

WHY YOU SHOULD BUY

- Display Only
- Powers the Transmitter
- Cost Effective
- OEM / Large Quantities
- Simple

PD603 SPECIFICATIONS

Input	0-20 mA, 4-20 mA; ±10 VDC (0-5, 1-5, 0-10 V)
Display	4-digit 0.56" (14.2 mm)
Enclosure	NEMA 4X / IP65 front 1/8 DIN
Approvals	UL, CE
Power	85-265 VAC or 12-36 VDC option
Operating Temp	0 to 65°C

FEATURES

- NEMA 4X front panel
- UL Listed
- Transmitter power option
- Shallow depth enclosure
- Easy front panel programming

OPTIONS

- 24 VDC transmitter power supply

MINIMUM ORDER

- 5 units

PID Controllers

 **NOVA Virtual Meter**
novavirtualmeter.com



PROGRAMMING SOFTWARE

Nova Multi-Monitoring programming software free download

WHY YOU SHOULD BUY

- PID Control
- Auto-Tuning
- Variety of Enclosure Sizes

PD540 SPECIFICATIONS

Input	Thermocouple RTD Current (with resistor) Voltage
Display	Dual, 4-digit
Enclosure	1/16, 3/16, 1/8, 1/4 DIN
Approvals	CE, UL
Power	100-240 VAC
Operating Temp	10 to 50°C

FEATURES

- High accuracy auto-tuning PID
- Heating & cooling models
- Up to 3 relays & 2 analog outputs
- Digital input set point selection
- RS-485 serial communications

OPTIONS

- Digital inputs
- Heating and cooling
- RS-485 serial communications



NOVA

Multi-Channel Controllers



PROGRAMMING SOFTWARE

Consolidator programming and monitoring software free download

WHY YOU SHOULD BUY

- Display, Control, Alarm, Re-Transmit
- Four or Eight Inputs
- Informative Display

4-CHANNEL CONTROLLER PD940

Mounting Wall

PD941

Mounting Panel

SPECIFICATIONS

Input	Analog: (4) 4-20 mA Pulse: (4) 100 mVp-p to 15 Vp-p, 1 Hz to 10 kHz
Display	6-digit, 4.75" x 3.50" (121 mm x 89 mm)
Enclosure	NEMA 1
Power	90-264 VAC or 8-30 VDC
Operating Temp	0 to 50°C

FEATURES

- Convenient display of four inputs
- Numeric & bargraph display
- Sunlight readable display
- Four analog inputs
- Four pulse and four digital inputs
- Nine 10 Amp relays
- Four 4-20 mA outputs
- Process / rate & total display
- 32-point linearization
- RS-232 Modbus RTU
- Direct Modbus PV inputs

OPTIONS

- **PDA2901** NEMA 4X enclosure
- **PDA2904** NEMA 4X enclosure
- **PDP2901** sub panel w/ terminal strips
- **PDP2904** sub panel w/ terminal strips

8-CHANNEL CONTROLLER PD980

Mounting Wall

PD981

Mounting Panel

SPECIFICATIONS

Input	Analog: (8) 4-20 mA Pulse: (4) 100 mVp-p to 15 Vp-p, 1 Hz to 10 kHz
Display	6-digit, 4.75" x 3.50" (121 mm x 89 mm)
Enclosure	NEMA 1
Power	90-264 VAC or 8-30 VDC
Operating Temp	0 to 50°C

FEATURES

- Convenient display of eight inputs
- Numeric & bargraph display
- Sunlight readable display
- Eight analog inputs
- Four pulse and four digital inputs
- Nine 10 Amp relays
- Two 4-20 mA outputs
- Process / rate & total display
- 32-point linearization
- RS-232 Modbus RTU
- Direct Modbus PV inputs

OPTIONS

- **PDA2901** NEMA 4X enclosure
- **PDA2904** NEMA 4X enclosure
- **PDP2901** sub panel w/ terminal strips
- **PDP2904** sub panel w/ terminal strips



PD981 mounted in PDA2901 NEMA 4X enclosure


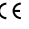
Intrinsically Safe Loop-Powered Field-Mount Meter



WHY YOU SHOULD BUY

Display Only
Big Display
No Extra Power Needed
Easy 2-Wire Connection
Use in All 4-20 mA Loops
Hazardous Area
HART Transparent

PD685 SPECIFICATIONS

Input 4-20 mA
Display 3½ digits
 1.1" (28 mm)
Enclosure NEMA 4X / IP67
 Field-mount
Approvals  
Power Loop-powered
V Drop 1.0 V
 4.0 V with backlight
Operating Temp -40 to 75°C

FEATURES

- Intrinsically safe
- 1 volt drop
- Wide operating temperature range
- Big, easy-to-read, backlit display
- Simplified wiring
- Loop-powered backlight
- ½" conduit hole (bottom)
- Simple zero & span adjustments
- Rugged plastic enclosure
- Conformal coated PCBs

OPTIONS

- ½" conduit hole (rear, top, or none)
- Pipe & panel mounting kits



Intrinsically Safe and Nonincendive Loop-Powered Field-Mount Meter



WHY YOU SHOULD BUY

Display Only
Big Display
No Extra Power Needed
Easy 2-Wire Connection
Use in All 4-20 mA Loops
Hazardous Area
HART Transparent

PD686 SPECIFICATIONS

Input 4-20 mA
Display 3½ digits
 1.0" (25.4 mm)
Enclosure NEMA 4X / IP67
 Field-mount
Approvals  
Power Loop-powered
V Drop 1.0 V
Operating Temp -40 to 85°C

FEATURES

- Intrinsically safe & nonincendive
- 1 volt drop
- Wide operating temperature range
- Big, easy-to-read display
- Simplified wiring
- ½" conduit hole (bottom)
- Simple zero & span adjustments
- Rugged plastic enclosure
- Conformal coated PCBs

OPTIONS

- ½" conduit hole (rear, top, or none)
- Pipe & panel mounting kits

Loop-Powered Meters



Survivor



ProtEX
Lite

WHY YOU SHOULD BUY

- Display Only
- No Extra Power Needed
- Easy 2-Wire Connection
- Use in All 4-20 mA Loops
- HART Transparent

**FIELD-MOUNT
PD662**

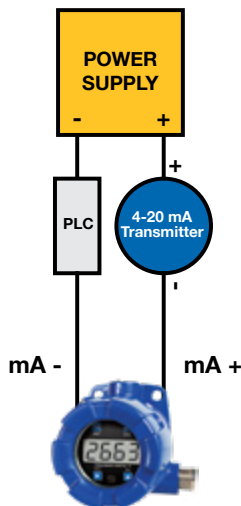
Display	3½+ digits 0.6" (15.24 mm)
Enclosure	NEMA 4X Field-mount
Approvals	UL, CE CSA - electrical safety only
V Drop	1.7 V 3.7 V with backlight
Operating Temp	-40 to 75°C (-55 to 75°C with heater)

**EXPLOSION-PROOF
PD663**

Display	3½+ digits 0.6" (15.24 mm)
Enclosure	NEMA 4X / IP68 Explosion-proof
Approvals	FM, ATEX, IECEx, CE
V Drop	1.7 V 4.7 V with backlight
Operating Temp	-40 to 75°C

**WHY USE
LOOP-POWERED METERS**

- Convenience!
- Easy, 2-wire, installation
- No extra power needed
- Can't read the transmitter's display



PD662 SPECIFICATIONS

Input	4-20 mA
Power	Loop-powered

PD662 FEATURES

- General purpose
- 1.7 volt drop
- Wide operating temperature range
- Easy-to-read, backlit display
- Simplified wiring
- Loop-powered backlight
- Maximum / minimum display
- Programmable noise filter
- Easy four-button programming
- HART protocol transparent
- Multi-point linearization and square root function

PD662 OPTIONS

- Heater
- Loop-powered backlight
- Pipe & panel mounting kit
- Stainless steel tags

PD663 SPECIFICATIONS

Input	4-20 mA
Power	Loop-powered

PD663 FEATURES

- Explosion-proof
- 1.7 volt drop
- Wide operating temperature range
- Easy-to-read, backlit display
- Simplified wiring
- Loop-powered backlight
- Maximum / minimum display
- Programmable noise filter
- Easy four-button programming
- HART protocol transparent
- Multi-point linearization and square root function

PD663 OPTIONS

- Loop-powered backlight
- Reed switches for through-glass programming*
- Pipe & panel mounting kit
- Stainless steel tags

* PDA-MAG magnetic wand needed for reed switches

Loop-Powered Meters with Advanced Features & Display



Loop Leader
Series

Designed for Improved Visibility



Flashing Red Message on Alarm

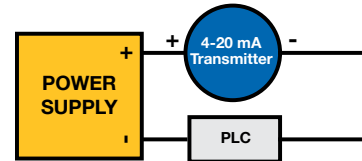
Why Use Loop-Powered Meters?

- Simplified wiring – break the loop anywhere and wire it in
- No additional power needed
- Hazardous location capability

The Leader in Loop-Powered Meters

The Loop Leader is equipped with these advanced features not available on previous generation Loop Leaders and rarely found in the market:

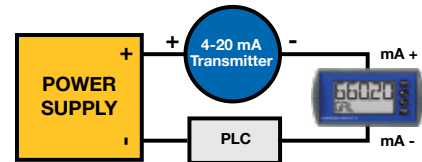
- Dual-line display
- 2 solid state relays
- Isolated 4-20 mA retransmission
- 2-color backlight
- PC-based USB programming software



Typical 4-20 mA loop wiring



Dual-Scale Displays the Same Input in Two Different Scales



4-20 mA loop wiring with a Loop Leader added to the loop

Free Programming Software

- Simplifies programming
- USB connection provides power during programming
- Save & print configuration files without meter connected
- Micro USB cable provided



Display Flow Rate & Total at Same Time

Intrinsically Safe Pump Controller

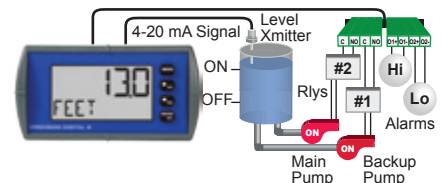
- Alternate two pumps
- High and low level alarm indication
- Alternate on level and run time
- Display pump run times or number of times they have cycled
- Intrinsically safe and nonincendive



USB Powers Meter During Programming



Commas on 8-Digit Totalizer for Easier Reading



Loop-Powered 1/8 DIN Process Meters



DECIMAL DISPLAY PD6602

Approvals CE
Operating Temp -40 to 75°C

PD6606

Approvals Ex, UL, CE
I.S. and N.I.
Operating Temp -40 to 70°C



DECIMAL + BARGRAPH DISPLAY PD6604

Approvals CE
Operating Temp -40 to 75°C

PD6608

Approvals Ex, UL, CE
I.S. and N.I.
Operating Temp -40 to 70°C



FEET & INCHES DISPLAY PD6603

Approvals CE
Operating Temp -40 to 75°C

PD6607

Approvals Ex, UL, CE
I.S. and N.I.
Operating Temp -40 to 70°C



PROGRAMMING SOFTWARE

MeterView XL USB-based programming software. Loop Leader powered from USB port during programming

SPECIFICATIONS

Input 4-20 mA
Display 5-digit upper display 0.7" (17.8 mm). Ft & In (PD6603 & PD6607) 8 alphanumeric character lower display 0.4" (10.1 mm) with commas 20-segment bargraph (PD6603, PD6604, PD6607, and PD6608)
Enclosure NEMA 4X / IP65 front, 1/8 DIN, Shallow Depth
Power Loop-powered
V Drop 1.5 V
4.5 V with backlight

FEATURES

- General purpose and IS & NI versions
- 1.5 volt drop
- Wide operating temperature range
- NEMA 4X front panel
- Loop-powered backlight standard
- Alphanumeric tag names
- Shallow depth enclosure
- 2 open collector outputs standard
- Timer functions for OC and relays
- Relay pump alternation
- Relay runtime and cycle count
- Conformal coated PCBs

OPTIONS

- 2 solid state relays
- Isolated 4-20 mA analog output



ALARM DISPLAY FEATURES

- Red backlight for alarms
- Programmable flashing display
- Custom alarm message
- Alarm indicator

WHY YOU SHOULD BUY

- Display, Control, Alarm, Re-Transmit**
- No Extra Power Needed**
- Easy 2-Wire Connection**
- Use in All 4-20 mA Loops**
- Hazardous Area**

Loop-Powered Field-Mount Process Meters



vantageview

**PLASTIC
PD6700**

Enclosure Plastic
NEMA 4X / IP65
Field-mount

Approvals None

V Drop 3.0 V
6.0 V with backlight



ProtEX Pro

**EXPLOSION-PROOF
PD6800**

Enclosure Die-cast aluminum
NEMA 4X / IP68
Explosion-proof

Approvals

V Drop 3.0 V
6.0 V with backlight

WHY YOU SHOULD BUY

- Display, Alarm
- No Extra Power Needed
- Easy 2-Wire Connection
- HART Transparent
- Use in All 4-20 mA Loops
- Hazardous Area

SPECIFICATIONS

Input 4-20 mA

Display 5-digit upper display 0.7" (17.8 mm)
7 alphanumeric character lower display 0.4" (10.2 mm)
20-segment bargraph option

Power Loop-powered

Operating Temp -40 to 75°C

FEATURES

- General purpose and explosion-proof versions
- 3.0 volt drop
- Wide operating temperature range
- Wide viewing angle
- Simplified wiring
- Wide viewing angle
- Lower display for alphanumeric tag, volume, or percent
- 32-point, square root, or exponential linearization
- Backlight standard
- Flanges for wall or pipe mounting
- Password protection
- SafeTouch through-window button programming
- Conformal coated PCBs for dust and humidity protection

OPTIONS

- Level indication bargraph + open collector Hi or Lo alarm
- Pipe mounting kits
- Stainless steel tags

**TWO CONVENIENT
DISPLAY OPTIONS**



Standard Display



Display with Bargraph Option

Loop-Powered Field-Mount Feet & Inches Meters



vantageview



ProtEX

WHY YOU SHOULD BUY

- Display, Alarm
- No Extra Power Needed
- Easy 2-Wire Connection
- HART Transparent
- Prefer Tank Height Displayed in Feet & Inches - Not Decimal

PLASTIC PD6701

Enclosure Plastic
NEMA 4X / IP65
Field-mount

Approvals None

V Drop 3.0 V
6.0 V with backlight

EXPLOSION-PROOF PD6801

Enclosure Die-cast aluminum
NEMA 4X / IP68
Explosion-proof

Approvals

V Drop 3.0 V
6.0 V with backlight

THREE CONVENIENT DISPLAY MODES



Custom Tag



Volume



Percent

SPECIFICATIONS

Input 4-20 mA

Display 0.6" (15.24 mm) feet & inches upper display
7 alphanumeric character lower display 0.4" (10.2 mm)
20-segment bargraph

Power Loop-powered

Operating Temp -40 to 75°C

FEATURES

- General purpose and explosion-proof versions
- 3.0 volt drop
- Wide operating temperature range
- Simplified wiring
- Wide viewing angle
- Convenient feet & inches display for those who prefer that format
- Displays up to 699 ft 11 in & 7/8 or 15/16
- Lower display for alphanumeric tag, volume, or percent
- 20-segment tank level bargraph
- Open collector Hi or Lo alarm
- Backlight standard
- Flanges for wall or pipe mounting
- Password protection
- SafeTouch through-window button programming
- Conformal coated PCBs for dust and humidity protection

OPTIONS

- Pipe mounting kits
- Stainless steel tags

Loop-Powered Field-Mount Large Display Meters



vantageview



ProtEX
FarVu

WHY YOU SHOULD BUY

- Display Only
- Big Display
- No Extra Power Needed
- Easy 2-Wire Connection
- Use in all 4-20 mA Loops
- Hazardous Area

**PLASTIC
PD6770**

Enclosure Plastic
NEMA 4X / IP65
Field-mount

Approvals None

V Drop 1.0 V
4.0 V with backlight

**EXPLOSION-PROOF
PD6870**

Enclosure Die-cast aluminum
NEMA 4X / IP68
Explosion-proof

Approvals

V Drop 1.0 V
4.0 V with backlight

**WHY USE
LOOP-POWERED METERS**

- Convenience!
- Easy, 2-wire, installation
- No extra power needed
- Can't read the transmitter's display

SPECIFICATIONS

Input 4-20 mA

Display 3½ digits, 1.0" (25.4 mm)

Power Loop-powered

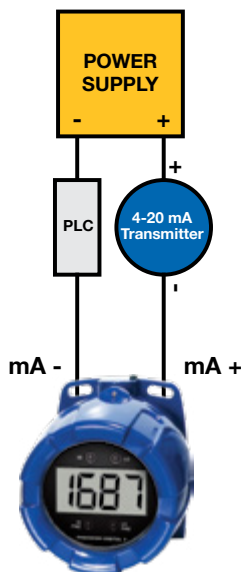
Operating Temp -40 to 75°C

FEATURES

- General purpose and explosion-proof versions
- 1.0 volt drop
- Wide operating temperature range
- Big, easy-to-read, backlit display
- Simplified wiring
- Wide viewing angle
- Flanges for wall or pipe mounting
- Easy calibration and installation
- HART Protocol Transparent
- Conformal coated PCBs for dust and humidity protection

OPTIONS

- Loop-powered backlight (PD6870)
- Pipe mounting kits
- Stainless steel tags



Batch Controllers



1/8 DIN PANEL METER PD6210

Display	Dual-line 6-digit 0.60" (15 mm) 0.46" (12 mm) SunBright Option
Enclosure	NEMA 4X / IP65 front 1/8 DIN
Approvals	UL, CE
Setup	4 Front Panel Buttons MeterView Pro



LARGE DISPLAY WALL MOUNT PD2-6210

Display	Dual-line 6-digit 1.80" (46 mm) 1.80" (46 mm) SunBright
Enclosure	NEMA 4X / IP65 Wall Mount
Approvals	UL
Setup	4 Inside Panel Buttons MeterView Pro



EXPLOSION-PROOF PD8-6210

Display	Dual-line 6-digit 0.60" (15 mm) 0.46" (12 mm) SunBright
Enclosure	NEMA 4X, 7, 9 / IP68 Explosion-proof
Approvals	FM APPROVED, SIL, Ex, CE
Setup	4 SafeTouch Buttons MeterView Pro



PROGRAMMING SOFTWARE

On-board USB & MeterView Pro programming software

WHY YOU SHOULD BUY

- Batch Control
- Automatic or Manual
- Powers the Flowmeter
- Install Virtually Anywhere

SPECIFICATIONS

Input	0-20 mA, 4-20 mA; ±10 VDC (0-5, 1-5, 0-10 V); Modbus PV (slave)
Power	85-265 VAC or 12-24 VDC option
Operating Temp	-40 to 65°C

FEATURES

- 1/8 DIN, wall mount, and explosion-proof versions
- Dual-line 6-digit display
- Isolated 24 VDC transmitter power supply
- Start, pause, & stop batch with front panel buttons or free software
- Display batch total + rate, grand total, batch count or preset
- Single or multi-stage batching with up to 8 relays
- Automatic overrun correction
- Manual control or automatic batching
- Count up or down with each batch
- Free PC-based USB programming software
- Super bright display
- Modbus RTU communication protocol standard
- On-board digital input (for remote reset)

OPTIONS

- Isolated 4-20 mA output
- 2 or 4 form C internal relays
- RS-232 & RS-485 serial communications

Flow Rate / Totalizers



1/8 DIN PANEL METER
PD6200

Display	Dual-line 6-digit 0.60" (15 mm) 0.46" (12 mm) SunBright Option
Enclosure	NEMA 4X / IP65 front 1/8 DIN
Approvals	UL, CE
Setup	4 Front Panel Buttons MeterView Pro



LARGE DISPLAY WALL MOUNT
PD2-6200

Display	Dual-line 6-digit 1.80" (46 mm) 1.80" (46 mm) SunBright
Enclosure	NEMA 4X / IP65 Wall Mount
Approvals	UL
Setup	4 Inside Panel Buttons MeterView Pro



EXPLOSION-PROOF
PD8-6200

Display	Dual-line 6-digit 0.60" (15 mm) 0.46" (12 mm) SunBright
Enclosure	NEMA 4X, 7, 9 / IP68 Explosion-proof
Approvals	FM, ATEX, CE
Setup	4 SafeTouch Buttons MeterView Pro



PROGRAMMING SOFTWARE

On-board USB & MeterView Pro programming software

WHY YOU SHOULD BUY

Display, Control, Alarm, Re-Transmit

Powers the Flowmeter

Install Virtually Anywhere

Flow Rate & Total

Hazardous Area

SPECIFICATIONS

Input	0-20 mA, 4-20 mA; ±10 VDC (0-5, 1-5, 0-10 V); Modbus PV (slave)
Power	85-265 VAC or 12-24 VDC option
Operating Temp	-40 to 65°C

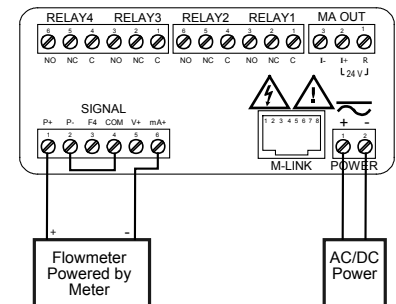
FEATURES

- 1/8 DIN, wall mount, & explosion-proof
- Dual-line 6-digit display
- Isolated 24 VDC flowmeter power
- Display rate and total simultaneously
- Rate in second, minute, hour, or day
- Count up or down, total & grand total
- Total, grand or non-resettable grand total
- Free PC-based USB programming SW
- Super bright display
- Wide variety of agency approvals
- Modbus RTU communication protocol
- Open channel flow
- On-board digital input (for remote reset)

OPTIONS

- Isolated 4-20 mA output
- 2 or 4 form C internal relays
- RS-232 & RS-485 serial communications

POWER THE FLOWMETER



- Power the flowmeter
- Simplify wiring
- Reduce costs

Dual Input Flow Rate / Totalizers



1/8 DIN PANEL METER PD6262

Display	Dual-line 6-digit 0.60" (15 mm) 0.46" (12 mm) SunBright Option
Enclosure	NEMA 4X / IP65 front 1/8 DIN
Approvals	UL, CE
Setup	4 Front Panel Buttons MeterView Pro



LARGE DISPLAY WALL MOUNT PD2-6262

Display	Dual-line 6-digit 1.80" (46 mm) 1.80" (46 mm) SunBright
Enclosure	NEMA 4X / IP65 Wall Mount
Approvals	UL
Setup	4 Inside Panel Buttons MeterView Pro



EXPLOSION-PROOF PD8-6262

Display	Dual-line 6-digit 0.60" (15 mm) 0.46" (12 mm) SunBright
Enclosure	NEMA 4X, 7, 9 / IP68 Explosion-proof
Approvals	FM, ATEX, CE
Setup	4 SafeTouch Buttons MeterView Pro



PROGRAMMING SOFTWARE

On-board USB & MeterView Pro programming software

WHY YOU SHOULD BUY

Display, Control, Alarm, Re-Transmit

Powers the Flowmeters

Install Virtually Anywhere

Flow Rate & Total

Net Fuel Consumption

Two Inputs

SPECIFICATIONS

Input	Dual 0-20 mA, 4-20 mA; ±10 VDC (0-5, 1-5, 0-10 V); Modbus PV (slave)
Power	85-265 VAC or 12-24 VDC option
Operating Temp	-40 to 65°C

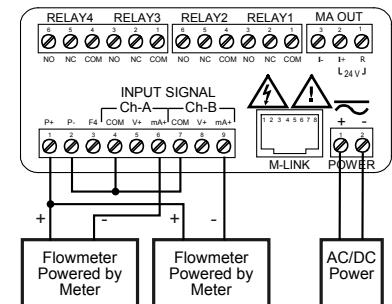
FEATURES

- 1/8 DIN, wall mount, & explosion-proof
- Dual-line 6-digit display
- Dual isolated 24 VDC flowmeter power
- Display two flow inputs simultaneously
- Display rate & total simultaneously
- Rate in second, minute, hour, or day
- Math functions capabilities
- Count up or down, total & grand total
- Open channel flow
- Total, grand or non-resettable grand total
- Free PC-based USB programming SW
- Super bright display
- On-board digital input (for remote reset)

OPTIONS

- Isolated 4-20 mA output
- 2 or 4 form C internal relays
- RS-232 & RS-485 serial communications

POWER THE FLOWMETERS



- Power two flowmeters
- Simplify wiring
- Reduce costs

Loop-Powered Field-Mount Flow Rate / Totalizers



vantageview



ProtEX
RTA

WHY YOU SHOULD BUY

- Display, Alarm
- No Extra Power Needed
- Easy 2-Wire Connection
- Flow Rate / Totalizers
- Hazardous Area

**PLASTIC
PD6720**

Enclosure Plastic
NEMA 4X / IP65
Field-mount

Approvals None

V Drop 3.0 V
6.0 V with backlight

**EXPLOSION-PROOF
PD6820**

Enclosure Die-cast aluminum
NEMA 4X / IP68
Explosion-proof

Approvals

V Drop 3.0 V
6.0 V with backlight

**THREE CONVENIENT
DISPLAY MODES**



Flow Rate Indicator



Flow Totalizer



Rate & Total

SPECIFICATIONS

Input 4-20 mA

Display 5-digit upper display 0.7" (17.8 mm)
7 alphanumeric character lower display 0.4" (10.2 mm)

Power Loop-powered

Operating Temp -40 to 75°C

FEATURES

- General purpose and explosion-proof versions
- 3.0 volt drop
- Wide operating temperature range
- Wide viewing angle
- Simplified wiring
- Display rate & total simultaneously
- Displays rate in second, minute, hour, or day
- Total, grand total, or non-resettable grand total
- 7-digit totalizer
- Open collector pulse or alarm output
- 32-point, square root, or exponential linearization
- Backlight standard
- Flanges for wall or pipe mounting
- Password protection
- SafeTouch through-window button programming
- Conformal coated PCBs for dust and humidity protection

OPTIONS

- Pipe mounting kits
- Stainless steel tags

Loop-Powered 1/8 DIN Flow Rate / Totalizers



Loop Leader
Series



Loop Leader
Series



PROGRAMMING SOFTWARE

MeterView XL USB-based programming software. Loop Leader powered from USB port during programming

WHY YOU SHOULD BUY

Display, Control, Alarm, Re-Transmit

No Extra Power Needed

Easy 2-Wire Connection

Flow Rate / Totalizers

Batch Control

Hazardous Area

DECIMAL DISPLAY

PD6622

Approvals CE
Operating Temp -40 to 75°C

PD6626

Approvals Ex UL CE
I.S. and N.I.
Operating Temp -40 to 70°C

DECIMAL + BARGRAPH DISPLAY

PD6624

Approvals CE
Operating Temp -40 to 75°C

PD6628

Approvals Ex UL CE
I.S. and N.I.
Operating Temp -40 to 70°C

SPECIFICATIONS

Input 4-20 mA
Display 5-digit upper display 0.7" (17.8 mm)
8 alphanumeric character lower display 0.4" (10.1 mm) with commas
20-segment bargraph (PD6624 and PD6628)
Enclosure NEMA 4X / IP65 front, 1/8 DIN, Shallow Depth
Power Loop-powered
V Drop 1.5 V, 4.5 V with backlight

FEATURES

- General purpose, intrinsically safe and nonincendive versions
- 1.5 volt drop
- Wide operating temperature range
- NEMA 4X front panel
- Display rate & total simultaneously
- Displays rate in second, minute, hour, or day
- Intuitive total display with commas
- Alphanumeric tag names
- Total, grand total, or non-resettable grand total
- Up to 13-digit total & grand total
- 2 open collector outputs standard
- On-board digital input (for remote reset)
- Conformal coated PCBs for dust and humidity protection

OPTIONS

- 2 solid state relays
- Isolated 4-20 mA analog output



ALARM DISPLAY FEATURES

- Red backlight for alarms
- Programmable flashing display
- Custom alarm message
- Alarm indicator

Flow Rate / Totalizers



1/8 DIN PANEL METER PD6300

Display	Dual-line 6-digit 0.60" (15 mm) 0.46" (12 mm) SunBright Option
Enclosure	NEMA 4X / IP65 front 1/8 DIN
Approvals	UL, CE
Setup	4 Front Panel Buttons MeterView Pro



LARGE DISPLAY WALL MOUNT PD2-6300

Display	Dual-line 6-digit 1.80" (46 mm) 1.80" (46 mm) SunBright
Enclosure	NEMA 4X / IP65 Wall Mount
Approvals	UL
Setup	4 Inside Panel Buttons MeterView Pro



EXPLOSION-PROOF PD8-6300

Display	Dual-line 6-digit 0.60" (15 mm) 0.46" (12 mm) SunBright
Enclosure	NEMA 4X, 7, 9 / IP68 Explosion-proof
Approvals	FM APPROVED, IECEx, CE
Setup	4 SafeTouch Buttons MeterView Pro



PROGRAMMING SOFTWARE

On-board USB & MeterView Pro programming software

WHY YOU SHOULD BUY

Display, Control, Alarm, Re-Transmit

Powers the Flowmeter

Install Virtually Anywhere

Flow Rate & Total

Pulse to 4-20 mA Converter

SPECIFICATIONS

Input	Pulse, open collector, NPN, PNP, TTL, switch contact, sine wave (coil), square wave; Modbus PV (slave)
Power	85-265 VAC or 12-24 VDC option
Operating Temp	-40 to 65°C

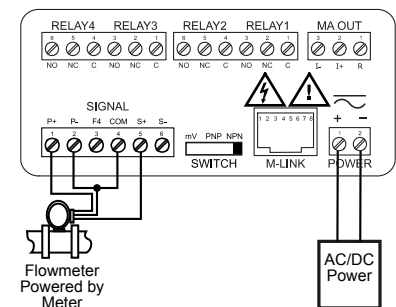
FEATURES

- 1/8 DIN, wall mount, & explosion-proof
- 5, 10, or 24 V flowmeter power
- Display rate and total simultaneously
- Rate in second, minute, hour, or day
- Count up or down, total & grand total
- Gate function for display of slow pulses
- K-Factor, scaling, or external calibration
- Total, grand or non-resettable grand total
- Free PC-based USB programming SW
- Super bright display
- Wide variety of agency approvals
- Modbus RTU communication protocol
- On-board digital input (for remote reset)

OPTIONS

- Isolated 4-20 mA output
- 2 or 4 form C internal relays
- RS-232 & RS-485 serial communications

POWER THE FLOWMETER



- Power the flowmeter
- Simplify wiring
- Reduce costs

Dual Input Flow Rate / Totalizers



1/8 DIN PANEL METER
PD6363

Display	Dual-line 6-digit 0.60" (15 mm) 0.46" (12 mm) SunBright Option
Enclosure	NEMA 4X / IP65 front 1/8 DIN
Approvals	UL, CE
Setup	4 Front Panel Buttons MeterView Pro



LARGE DISPLAY WALL MOUNT
PD2-6363

Display	Dual-line 6-digit 1.80" (46 mm) 1.80" (46 mm) SunBright
Enclosure	NEMA 4X / IP65 Wall Mount
Approvals	UL
Setup	4 Inside Panel Buttons MeterView Pro



EXPLOSION-PROOF
PD8-6363

Display	Dual-line 6-digit 0.60" (15 mm) 0.46" (12 mm) SunBright
Enclosure	NEMA 4X, 7, 9 / IP68 Explosion-proof
Approvals	FM, ATEX, CE
Setup	4 SafeTouch Buttons MeterView Pro



PROGRAMMING SOFTWARE

On-board USB & MeterView Pro programming software

WHY YOU SHOULD BUY

Display, Control, Alarm, Re-Transmit

Powers the Flowmeters

Install Virtually Anywhere

Flow Rate & Total

Net Fuel Consumption

Two Inputs

Pulse to 4-20 mA Converter

SPECIFICATIONS

Input	Dual pulse, open collector, NPN, PNP, TTL, switch contact, sine wave (coil), square wave; Modbus PV (slave)
Power	85-265 VAC or 12-24 VDC option
Operating Temp	-40 to 65°C

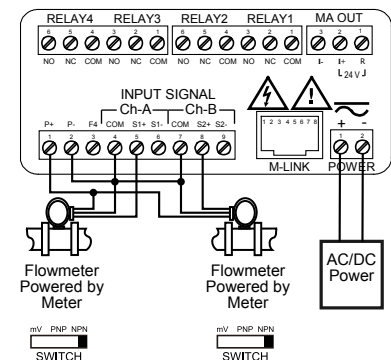
FEATURES

- 1/8 DIN, wall mount, & explosion-proof
- Display two inputs simultaneously
- Display rate and total simultaneously
- Rate in second, minute, hour, or day
- Math functions capabilities
- Dual 5, 10, or 24 V flowmeter power
- Count up or down, total & grand total
- Gate function for display of slow pulses
- K-Factor, scaling, or external calibration
- Total, grand or non-resettable grand total
- Free PC-based USB programming SW
- Super bright display
- Modbus RTU communication protocol

OPTIONS

- Isolated 4-20 mA output
- 2 or 4 form C internal relays
- RS-232 & RS-485 serial communications

POWER THE FLOWMETERS



- Power two flowmeters
- Simplify wiring
- Reduce costs

Field-Mount Flow Rate / Totalizers



vantageview



ProtEX RTP



PROGRAMMING SOFTWARE

USB-based MeterView EX programming software

PLASTIC PD6730

Enclosure Plastic
NEMA 4X / IP65
Field-mount

Approvals None

EXPLOSION-PROOF PD6830

Enclosure Die-cast aluminum
NEMA 4X / IP68
Explosion-proof

Approvals

SPECIFICATIONS

Input Pulse, open collector, NPN, PNP, TTL, switch contact, sine wave (coil), square wave, opto-isolated

Display 5-digit upper display 0.7" (17.8 mm)
7 alphanumeric character lower display 0.4" (10.2 mm)

Power 9-30 VDC, output-loop, or battery

Operating Temp -40 to 75°C (-20 to 75°C battery)

FEATURES

- General purpose and explosion-proof versions
- Battery, DC or 4-20 mA output loop power
- Wide viewing angle
- K-Factor, scaling, or live input calibration with 32-point linearization
- Wide operating temperature range
- Displays rate and total simultaneously
- Displays rate in second, minute, hour, or day
- 13-digit total with overflow display
- Mountable directly to flowmeter if desired
- Automatic rate, total, & grand total unit conversions
- Total, grand total, or non-resettable grand total
- Free PC-based USB programming software
- On-board data logging (1024 points)
- Two isolated open collector pulse outputs, up to 5 kHz
- SafeTouch through-window button programming

OPTIONS

- Isolated 4-20 mA output for rate, total, or grand total
- Isolated or non-isolated RS-485 with Modbus communications
- Pipe mounting kits and stainless steel tags
- **PDA8068** USB serial adapter for PC programming only

WHY YOU SHOULD BUY

Display, Alarm, Re-transmit

-40° C Operation

Battery, Loop, or DC Power

Flow Rate / Totalizers

Hazardous Area



Mountable directly to your flowmeter

Multi-Channel Controllers



PROGRAMMING SOFTWARE

Consolidator programming and monitoring software free download

WHY YOU SHOULD BUY

Display, Control, Alarm, Re-Transmit

Four or Eight Inputs

Informative Display



PD981 mounted in PDA2901 NEMA 4X enclosure

4-CHANNEL CONTROLLER PD940

Mounting Wall

PD941

Mounting Panel

SPECIFICATIONS

Input	Analog: (4) 4-20 mA Pulse: (4) 100 mVp-p to 15 Vp-p, 1 Hz to 10 kHz
Display	6-digit, 4.75" x 3.50" (121 mm x 89 mm)
Enclosure	NEMA 1
Power	90-264 VAC or 8-30 VDC
Operating Temp	0 to 50°C

FEATURES

- Convenient display of four inputs
- Numeric & bargraph display
- Sunlight readable display
- Four analog inputs
- Four pulse and four digital inputs
- Nine 10 Amp relays
- Four 4-20 mA outputs
- Process / rate & total display
- 32-point linearization
- RS-232 Modbus RTU
- Direct Modbus PV inputs

OPTIONS

- **PDA2901** NEMA 4X enclosure
- **PDA2904** NEMA 4X enclosure
- **PDP2901** sub panel w/ terminal strips
- **PDP2904** sub panel w/ terminal strips

8-CHANNEL CONTROLLER PD980

Mounting Wall

PD981

Mounting Panel

SPECIFICATIONS

Input	Analog: (8) 4-20 mA Pulse: (4) 100 mVp-p to 15 Vp-p, 1 Hz to 10 kHz
Display	6-digit, 4.75" x 3.50" (121 mm x 89 mm)
Enclosure	NEMA 1
Power	90-264 VAC or 8-30 VDC
Operating Temp	0 to 50°C

FEATURES

- Convenient display of eight inputs
- Numeric & bargraph display
- Sunlight readable display
- Eight analog inputs
- Four pulse and four digital inputs
- Nine 10 Amp relays
- Two 4-20 mA outputs
- Process / rate & total display
- 32-point linearization
- RS-232 Modbus RTU
- Direct Modbus PV inputs

OPTIONS

- **PDA2901** NEMA 4X enclosure
- **PDA2904** NEMA 4X enclosure
- **PDP2901** sub panel w/ terminal strips
- **PDP2904** sub panel w/ terminal strips

Batch Controllers



PROVU
SERIES

1/8 DIN PANEL METER PD6310

Display	Dual-line 6-digit 0.60" (15 mm) 0.46" (12 mm) SunBright Option
Enclosure	NEMA 4X / IP65 front 1/8 DIN
Approvals	UL, CE
Setup	4 Front Panel Buttons MeterView Pro



HELIOS

LARGE DISPLAY WALL MOUNT PD2-6310

Display	Dual-line 6-digit 1.80" (46 mm) 1.80" (46 mm) SunBright
Enclosure	NEMA 4X / IP65 Wall Mount
Approvals	UL
Setup	4 Inside Panel Buttons MeterView Pro



ProtEX
MAX

EXPLOSION-PROOF PD8-6310

Display	Dual-line 6-digit 0.60" (15 mm) 0.46" (12 mm) SunBright
Enclosure	NEMA 4X, 7, 9 / IP68 Explosion-proof
Approvals	FM APPROVED, SIL, Ex, CE
Setup	4 SafeTouch Buttons MeterView Pro



PROGRAMMING SOFTWARE

On-board USB & MeterView Pro programming software

WHY YOU SHOULD BUY

Batch Control
Automatic or Manual
Powers the Flowmeter
Install Virtually Anywhere

SPECIFICATIONS

Input	Pulse, open collector, NPN, PNP, TTL, switch contact, sine wave (coil), square wave, Modbus PV (slave)
Power	85-265 VAC or 12-24 VDC option
Operating Temp	-40 to 65°C

FEATURES

- 1/8 DIN, wall mount, and explosion-proof versions
- Dual-line 6-digit display
- 5, 10, or 24 VDC flowmeter power supply
- K-Factor, internal scaling, or external calibration
- Start, pause, & stop batch with front panel buttons or free software
- Display batch total + rate, grand total, batch count or preset
- Single or multi-stage batching with up to 8 relays
- Automatic overrun correction
- Manual control or automatic batching
- Count up or down with each batch
- Free PC-based USB programming software
- Modbus RTU communication protocol standard

OPTIONS

- Isolated 4-20 mA output
- 2 or 4 form C internal relays
- RS-232 & RS-485 serial communications

Weights & Measures Batch Controllers



PROVU
SERIES



ProtEX
MAX



1/8 DIN PANEL METER PD6310-WM

Display	Dual-line 6-digit 0.60" (15 mm) 0.46" (12 mm) SunBright Option
Enclosure	NEMA 4X / IP65 front 1/8 DIN
Approvals	UL, CE
Setup	4 Front Panel Buttons MeterView Pro

EXPLOSION-PROOF PD8-6310-WM

Display	Dual-line 6-digit 0.60" (15 mm) 0.46" (12 mm) SunBright
Enclosure	NEMA 4X, 7, 9 / IP68 Explosion-proof
Approvals	FM APPROVED, SIL, Ex, CE, ATEX
Setup	4 SafeTouch Buttons MeterView Pro



PROGRAMMING SOFTWARE

On-board USB & MeterView Pro programming software

SPECIFICATIONS

Input	Pulse, open collector, NPN, PNP, TTL, switch contact, sine wave (coil), square wave, Modbus PV (slave)
Power	85-265 VAC or 12-24 VDC option
Operating Temp	-40 to 65°C

FEATURES

- 1/8 DIN and explosion-proof versions
- Dual-line 6-digit display
- 5, 10, or 24 VDC flowmeter power supply
- NTEP Certified weighing and measuring device
- K-Factor, internal scaling, or external calibration
- Mechanical programming lockout
- Start, pause, & stop batch with front panel buttons or free software
- Display batch total + rate, grand total, batch count or preset
- Count up or down with each batch
- Automatic overrun correction
- Single or multi-stage batching with up to 8 relays
- Free PC-based USB programming software

OPTIONS

- Isolated 4-20 mA output
- 2 or 4 form C internal relays
- RS-232 & RS-485 serial communications

WHY YOU SHOULD BUY

- Batch Control
- Automatic or Manual
- Powers the Flowmeter
- Install Virtually Anywhere
- NTEP Approved
- Custody Transfer

Temperature Meters



PROVU
SERIES

1/8 DIN PANEL METER PD7000

Display	Dual-line 6-digit 0.60" (15 mm) 0.46" (12 mm) SunBright Option
Enclosure	NEMA 4X / IP65 front 1/8 DIN
Approvals	UL, CE
Setup	4 Front Panel Buttons MeterView Pro



HELIOS

LARGE DISPLAY WALL MOUNT PD2-7000

Display	Dual-line 6-digit 1.80" (46 mm) 1.80" (46 mm) SunBright
Enclosure	NEMA 4X / IP65 Wall Mount
Approvals	UL
Setup	4 Inside Panel Buttons MeterView Pro



ProtEX
MAX

EXPLOSION-PROOF PD8-7000

Display	Dual-line 6-digit 0.60" (15 mm) 0.46" (12 mm) SunBright
Enclosure	NEMA 4X, 7, 9 / IP68 Explosion-proof
Approvals	FM, SIL, Ex, CE
Setup	4 SafeTouch Buttons MeterView Pro



PROGRAMMING SOFTWARE

On-board USB & MeterView Pro programming software

WHY YOU SHOULD BUY

Display, Control, Alarm, Re-Transmit

Install Virtually Anywhere

Display Above 2000°

Field Selectable TC or RTD Inputs

Temperature Transmitter with Big Display

SPECIFICATIONS

Input	Thermocouple J, K, T, E, R, S, B, N, C; RTD 100 Ω Pt, 10 Ω Cu, 120 Ω Ni, 1,000 Ω Pt; Modbus PV (slave)
Power	85-265 VAC or 12-24 VDC option
Operating Temp	-40 to 65°C

FEATURES

- 1/8 DIN, wall mount, and explosion-proof versions
- Dual-line 6-digit display
- Field selectable T/C & RTD inputs
- 1° or 0.1° resolution
- Display above 2000° using four digits
- Averages up to 10 RTD sensors
- Automatic cold junction compensation
- Free PC-based USB programming software
- Super bright display
- Wide variety of agency approvals
- Modbus RTU communication protocol standard

OPTIONS

- Isolated 4-20 mA output
- 2 or 4 form C internal relays
- RS-232 & RS-485 serial communications

Temperature & Process Meters



Trident Virtual Meter
tvm.predig.com



TRIDENT

1/8 DIN PANEL METER PD765

Display	4-digit 0.56" (14.2 mm)
Enclosure	NEMA 4X / IP65 front 1/8 DIN
Approvals	UL, CE
Setup	4 Front Panel Buttons MeterView Copy Feature



TRIDENT X2

1/8 DIN PANEL METER PD765 X2

Display	4-digit 1.20" (30.5 mm)
Enclosure	NEMA 4X / IP65 front 1/8 DIN
Approvals	UL, CE
Setup	4 Front Panel Buttons MeterView Copy Feature



ProtEX MAX

EXPLOSION-PROOF PD8-765

Display	4-digit 1.20" (30.5 mm)
Enclosure	NEMA 4X, 7, 9 / IP68 Explosion-Proof
Approvals	FM, SIL, CE
Setup	4 SafeTouch Buttons MeterView Copy Feature



PROGRAMMING SOFTWARE

MeterView programming and monitoring software free download

WHY YOU SHOULD BUY

Display, Control, Alarm, Re-Transmit

Powers the Transmitter

Display K TC Above 2000°

Install Virtually Anywhere

Process & Temperature Inputs

Most Popular Products

Temperature Transmitter with Big Display

SPECIFICATIONS

Input	Process: 0-20 mA, 4-20 mA; ±10 VDC (0-5, 1-5, 0-10 V) Temperature: Thermocouple J, K, T, E; RTD 100 Ω Pt
Power	85-265 VAC or 12-36 VDC option
Operating Temp	-40 to 65°C

FEATURES

- 1/8 DIN and explosion-proof versions
- Standard & supersized display options
- Sunlight readable display
- Isolated 24 VDC transmitter power supply option
- Field selectable process and temperature inputs
- 1° or 0.1° resolution with RTD & type T thermocouple
- Free PC-based programming and monitoring software
- Wide variety of agency approvals
- Maximum / minimum display
- Linear or square root with low-flow cutoff
- Modbus RTU

OPTIONS

- 2 relays and 4-20 mA analog output
- 24 VDC transmitter power supply
- Dual 24 VDC transmitter power supplies
- USB, RS-232, & RS-485 serial communications

Low-Cost Temperature Meter



Sabre Series

WHY YOU SHOULD BUY

- Display Only
- TC or RTD Input
- Cost Effective
- OEM / Large Quantities
- Simple

PD743 SPECIFICATIONS

- Input** Thermocouple J, K, T, E; RTD 100 Ω platinum
- Display** 4-digit
0.56" (14.2 mm)
- Enclosure** NEMA 4X / IP65 front
1/8 DIN
- Approvals**
- Power** 85-265 VAC or
12-36 VDC option
- Operating Temp** 0 to 65°C

FEATURES

- NEMA 4X front panel
- UL Listed
- Shallow depth enclosure
- 1° or 0.1° resolution with RTD
- Maximum / minimum display
- Pre-calibrated for all input types

MINIMUM ORDER

- 5 units

PID & Limit Controllers



NOVA Virtual Meter
novavirtualmeter.com



PROGRAMMING SOFTWARE

Nova Multi-Monitoring programming software free download

WHY YOU SHOULD BUY

- PID Control
- Auto-Tuning
- Limit Control
- Variety of Enclosure Sizes

PD540 & PD570 SPECIFICATIONS

- Input** Thermocouple
RTD
Current (with resistor)
Voltage
- Display** Dual, 4-digit
- Enclosure** 1/16, 3/16, 1/8, 1/4 DIN
- Approvals**
- Power** 100-240 VAC
- Operating Temp** 10 to 50°C

PD540 FEATURES

- High accuracy auto-tuning PID
- Heating & cooling models
- Up to 3 relays & 2 analog outputs
- Digital input set point selection
- RS-485 serial communications

PD570 FEATURES

- Latching limit relay

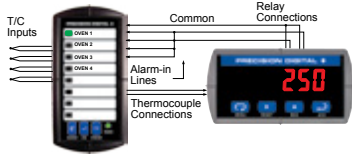
OPTIONS

- Digital inputs (PD540 series)
- Heating and cooling (PD540 series)
- RS-485 serial communications



NOVA

8-Channel Temperature & Process Scanner



AUTOMATIC SWITCH

PD138 automatically switching three T/Cs to a PD765 where they are checked for an alarm condition.

WHY YOU SHOULD BUY

Scan
8 Channels
Reed Relay Switching
Alarm Indication

PD138 SPECIFICATIONS

Input	TC, RTD, Process, AC, DC
Display	Eight LED indicators
Enclosure	NEMA 4X / IP65 front 1/8 DIN
Power	115 VAC, 230 VAC, or 12-24 VDC
Operating Temp	-40 to 65°C

FEATURES

- 8 inputs per unit
- Unlimited number of units per system
- Adjustable dwell time for each channel
- Independent alarm input for each channel
- First-out alarm indication
- Free custom message labels
- Built-in 70 dB horn

OPTIONS

- Current loop resistor



MINIMUX II

Temperature Scanning Systems



WHY YOU SHOULD BUY

Display, Scan, Alarm
8 Channels
Reed Relay Switching
Temperature Indication
Alarm Indication

PDS178 SPECIFICATIONS

Input	J, K, E, T thermocouples, 100 Ω platinum RTD
Display	4-digit and 8 LED indicators
Enclosure	NEMA 4X / IP65 front 1/8 DIN
Power	115 VAC
Operating Temp	-40 to 65°C

FEATURES

- 8-channel temperature scanner
- Temperature indicator with 2 relays
- NEMA 4X plastic enclosure
- 8 inputs per unit
- Built-in 70 dB horn
- First-out indication
- Sunlight readable indication
- Free custom message labels

OPTIONS

- PDS178: 0.56" (14.2 mm) display
- PDS178X2: 1.2" (30.5 mm) display

Field-Mount Modbus Scanners



PROGRAMMING SOFTWARE

ScanView EX programming software

WHY YOU SHOULD BUY

- Display, Alarm, Re-Transmit
- Scan 16 Modbus Variables
- Master, Slave, Packet Sniffer
- Hazardous Area



PLASTIC PD6730X

Enclosure Plastic
NEMA 4X / IP65
Field-mount

Approvals None



EXPLOSION-PROOF PD6830X

Enclosure Die-cast aluminum
NEMA 4X / IP68
Explosion-proof

Approvals    

SPECIFICATIONS

Input Modbus RTU
Pulse (decimal display model)

Display 5-digit upper display 0.7" (17.8 mm)
7 alphanumeric character lower display 0.4" (10.2 mm)
0.6" (15.24 mm) upper display (feet & inches model)
20-segment bargraph (feet & inches model)

Power 9-30 VDC

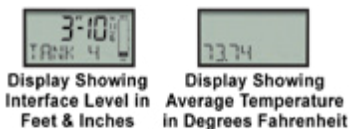
Operating Temp -40 to 75°C

FEATURES

- General purpose and explosion-proof versions
- Modbus RS-485 RTU serial communications as master, slave, or packet sniffer
- Poll and display up to 16 Modbus process variables
- Wide viewing angle
- Automatic or manual scanning
- Stop or go scan on alarm
- Alphanumeric tag names
- Independent scaling, tag, and unit for each PV
- Feet & inches display ideal for level applications (feet & inches model)
- Math functions capabilities
- 20-segment tank level bargraph (feet & inches model)
- Backlight standard
- SafeTouch through-window button programming
- Two open collector alarm outputs

OPTIONS

- Feet & inches display
- Isolated 4-20 mA output
- Pipe mounting kits
- **PDA8068** USB serial adapter for PC programming only



Master mode: four tanks: level, interface, temperature

Modbus Scanners



PROVU
SERIES

1/8 DIN PANEL METER PD6088

Display Dual-line 6-digit
0.60" (15 mm)
0.46" (12 mm)
SunBright
Decimal

Enclosure NEMA 4X / IP65 front
1/8 DIN

Approvals

Setup 4 Front Panel Buttons
MeterView Pro



PROVU
SERIES

1/8 DIN PANEL METER PD6089

Display Dual-line 6-digit
0.60" (15 mm)
0.46" (12 mm)
SunBright
Feet & Inches

Enclosure NEMA 4X / IP65 front
1/8 DIN

Approvals

Setup 4 Front Panel Buttons
MeterView Pro



PROGRAMMING SOFTWARE

On-board USB & ScanView programming software

WHY YOU SHOULD BUY

Display, Control, Alarm, Re-Transmit

Install in Panel or Enclosure

Scan 16 Modbus Variables

Master, Slave, Packet Sniffer

SPECIFICATIONS

Input Modbus RTU

Power 85-265 VAC or 12-24 VDC option

Operating Temp -40 to 65°C

FEATURES

- 1/8 DIN digital panel meter
- Dual-line 6-digit display
- Modbus RS-485 RTU serial communications as master, slave, or packet sniffer
- Poll and display up to 16 Modbus process variables
- Automatic or manual scanning
- Stop or go scan on alarm
- Independent scaling, tag, and unit for each PV
- Math functions capabilities
- Feet & inches display ideal for level applications (PD6089)
- Programmable display & function keys
- 4-20 mA analog output option (up to three)
- 2 or 4 relays + isolated 4-20 mA output options
- On-board RS-485 communications provided

OPTIONS

- Isolated 4-20 mA outputs (1 on-board, 2 external module)
- 2 or 4 form C internal relays

Modbus Scanners with Dual Analog Input



1/8 DIN PANEL METER PD6080

Display	Dual-line 6-digit 0.60" (15 mm) 0.46" (12 mm) SunBright
Enclosure	NEMA 4X / IP65 front 1/8 DIN
Approvals	UL, CE
Setup	4 Front Panel Buttons MeterView Pro



LARGE DISPLAY WALL MOUNT PD2-6080

Display	Dual-line 6-digit 1.80" (46 mm) 1.80" (46 mm) SunBright
Enclosure	NEMA 4X / IP65 Wall Mount
Approvals	UL
Setup	4 Inside Panel Buttons MeterView Pro



EXPLOSION-PROOF PD8-6080

Display	Dual-line 6-digit 0.60" (15 mm) 0.46" (12 mm) SunBright
Enclosure	NEMA 4X, 7, 9 / IP68 Explosion-proof
Approvals	FM, ATEX, CE
Setup	4 SafeTouch Buttons MeterView Pro



PROGRAMMING SOFTWARE

On-board USB & ScanView programming software

WHY YOU SHOULD BUY

Display, Control, Alarm, Re-Transmit

Install Virtually Anywhere

Scan 16 Modbus Variables

Two Analog Inputs

Master, Slave, Packet Sniffer

SPECIFICATIONS

Input	Modbus RTU; Dual 0-20 mA, 4-20 mA; ± 10 VDC (0-5, 1-5, 0-10 V)
Power	85-265 VAC or 12-24 VDC option
Operating Temp	-40 to 65°C

FEATURES

- 1/8 DIN, wall mount, and explosion-proof versions
- Dual-line 6-digit display
- Modbus RS-485 RTU serial communications as master, slave, or packet sniffer
- Poll and display up to 16 Modbus process variables
- Two analog inputs
- Automatic or manual scanning
- Stop or go scan on alarm
- Independent scaling, tag, and unit for each PV
- Math functions capabilities
- Programmable display & function keys
- Free PC-based USB programming software
- On-board RS-485 communications, module provided for PD6080

OPTIONS

- Isolated 4-20 mA output
- 2 or 4 form C internal relays

Feet & Inches Modbus Scanners with Dual Analog Input



1/8 DIN PANEL METER
PD6081

Display	Dual-line 6-digit 0.60" (15 mm) 0.46" (12 mm) SunBright
Enclosure	NEMA 4X / IP65 front 1/8 DIN
Approvals	UL, CE
Setup	4 Front Panel Buttons MeterView Pro



LARGE DISPLAY WALL MOUNT
PD2-6081

Display	Dual-line 6-digit 1.80" (46 mm) 1.80" (46 mm) SunBright
Enclosure	NEMA 4X / IP65 Wall Mount
Approvals	UL
Setup	4 Inside Panel Buttons MeterView Pro



EXPLOSION-PROOF
PD8-6081

Display	Dual-line 6-digit 0.60" (15 mm) 0.46" (12 mm) SunBright
Enclosure	NEMA 4X, 7, 9 / IP68 Explosion-proof
Approvals	FM APPROVED, SIL, Ex, CE
Setup	4 SafeTouch Buttons MeterView Pro



PROGRAMMING SOFTWARE

On-board USB & ScanView programming software

WHY YOU SHOULD BUY

Display, Control, Alarm, Re-Transmit

Install Virtually Anywhere

Scan 16 Modbus Variables

Two Analog Inputs

Master, Slave, Packet Sniffer

Feet & Inches

SPECIFICATIONS

Input	Modbus RTU; Dual 0-20 mA, 4-20 mA; ±10 VDC (0-5, 1-5, 0-10 V)
Power	85-265 VAC or 12-24 VDC option
Operating Temp	-40 to 65°C

FEATURES

- 1/8 DIN, wall mount, and explosion-proof versions
- Dual-line 6-digit display
- Modbus RS-485 RTU serial communications as master, slave, or packet sniffer
- Poll and display up to 16 Modbus process variables
- Feet & inches display ideal for level applications
- Two analog inputs
- Automatic or manual scanning
- Stop or go scan on alarm
- Independent scaling, tag, and unit for each PV
- Math functions capabilities
- Programmable display & function keys
- 32-point & round horizontal tank linearization
- On-board RS-485 communications, module provided for PD6081

OPTIONS

- Isolated 4-20 mA output
- 2 or 4 form C internal relays

Strain Gauge Meters



PROVU
SERIES

1/8 DIN PANEL METER PD6100

Display	Dual-line 6-digit 0.60" (15 mm) 0.46" (12 mm) SunBright Option
Enclosure	NEMA 4X / IP65 front 1/8 DIN
Approvals	UL, CE
Setup	4 Front Panel Buttons MeterView Pro



HELIOS

LARGE DISPLAY WALL MOUNT PD2-6100

Display	Dual-line 6-digit 1.80" (46 mm) 1.80" (46 mm) SunBright
Enclosure	NEMA 4X / IP65 Wall Mount
Approvals	UL
Setup	4 Inside Panel Buttons MeterView Pro



ProtEX
MAX

EXPLOSION-PROOF PD8-6100

Display	Dual-line 6-digit 0.60" (15 mm) 0.46" (12 mm) SunBright
Enclosure	NEMA 4X, 7, 9 / IP68 Explosion-proof
Approvals	FM APPROVED, SIL, Ex, CE
Setup	4 SafeTouch Buttons MeterView Pro



PROGRAMMING SOFTWARE

On-board USB & MeterView Pro programming software

WHY YOU SHOULD BUY

Display, Control, Alarm, Re-Transmit

Powers the Sensor

Install Just About Anywhere

Shunt Calibration Check

Weight Indication

SPECIFICATIONS

Input	15, 30, 150, 300 mV unipolar; ± 15 , ± 25 , ± 150 , ± 250 mV bipolar; Modbus PV (slave)
Power	85-265 VAC or 12-24 VDC option
Operating Temp	-40 to 65°C

FEATURES

- 1/8 DIN, wall mount, and explosion-proof versions
- Dual-line 6-digit display
- 5 or 10 VDC sensor excitation
- Averages up to twelve 350 Ω load cells (PROVU and Helios only)
- Capture or programmable tare feature
- Auto-zero feature eliminates zero drift
- Ratiometric operation
- Max/min or peak/valley hold feature
- Rounding to 1, 2, 5, 10, 20, 50, or 100
- Free PC-based USB programming software
- Super bright display
- Modbus RTU communication protocol standard

OPTIONS

- Isolated 4-20 mA output
- 2 or 4 form C internal relays
- RS-232 & RS-485 serial communications

High Voltage & High Current Meters



PROVU
SERIES

1/8 DIN PANEL METER PD6400

Display	Dual-line 6-digit 0.60" (15 mm) 0.46" (12 mm) SunBright Option
Enclosure	NEMA 4X / IP65 front 1/8 DIN
Approvals	UL, CE
Setup	4 Front Panel Buttons MeterView Pro



PROGRAMMING SOFTWARE

On-board USB & MeterView Pro programming software

WHY YOU SHOULD BUY

**Display, Control, Alarm,
Re-Transmit**

High Voltage or Current

Apparent Power



HELIOS

LARGE DISPLAY WALL MOUNT PD2-6400

Display	Dual-line 6-digit 1.80" (46 mm) 1.80" (46 mm) SunBright
Enclosure	NEMA 4X / IP65 Wall Mount
Approvals	UL
Setup	4 Inside Panel Buttons MeterView Pro

SPECIFICATIONS

Input	0-300 VDC or VAC 0-5 AAC or ADC; Modbus PV (Slave)
Power	85-265 VAC or 12-24 VDC option
Operating Temp	-40 to 65°C

FEATURES

- 1/8 DIN and wall mount versions
- Dual-line 6-digit display
- (1) high voltage & (1) high current Input
- Displays voltage and current simultaneously
- Multiplication for apparent power calculation
- Free PC-based programming software
- Super bright display

OPTIONS

- Isolated 4-20 mA output
- 2 or 4 form C internal relays
- RS-232 & RS-485 serial communications



PANEL METER PD644

Display	4-digit 0.56" (14.2 mm) Sunlight readable
Enclosure	NEMA 4X / IP65 front 1/8 DIN
Approvals	UL
Setup	4 Front Panel Buttons

PD644 SPECIFICATIONS

Input	0-300 VDC
Power	85-265 VAC or 12-36 VDC option
Operating Temp	0 to 65°C

PD644 FEATURES

- 1/8 DIN panel meter
- NEMA 4X front panel
- 4-20 mA output standard
- Shallow depth enclosure
- Maximum / minimum display
- RS-485 serial communications
- Modbus RTU

PD644 OPTIONS

- 2 form C relays
- 24 VDC transmitter supply

Alarm Annunciators



1/8 DIN PANEL METER PD154

Points	4
Display	4 LEDs
Enclosure	NEMA 4X / IP65 front 1/8 DIN
Approvals	UL LISTED CE
Setup	3 Front Panel Buttons DIP Switch



EXPLOSION-PROOF PD8-154

Points	4
Display	4 LEDs
Enclosure	NEMA 4X, 7, 9 / IP68 Explosion-proof
Approvals	FM APPROVED SIF Ex CE
Setup	3 Front Panel Buttons DIP Switch

WHY YOU SHOULD BUY

- Alarm
- 4 or 8 Inputs
- Alarm Indication
- Install Virtually Anywhere



PDA1500 HIGH VOLTAGE AC/DC TO LOGIC LEVEL CONVERTER

For use with PD154 and PD158 annunciators. It converts high voltage signals into logic level signals for use as a digital input to a wide range of process control and display equipment.

See [page 43](#) for details.

PD158

Points	8
Display	8 LEDs
Enclosure	NEMA 4X / IP65 front 1/8 DIN
Approvals	UL LISTED CE
Setup	3 Front Panel Buttons DIP Switch

PD8-158

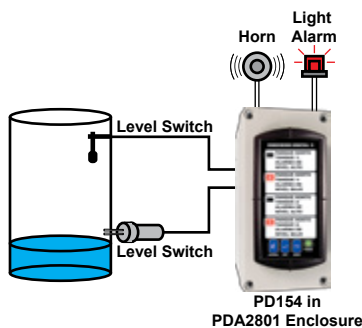
Points	8
Display	8 LEDs
Enclosure	NEMA 4X, 7, 9 / IP68 Explosion-proof
Approvals	FM APPROVED SIF Ex CE
Setup	3 Front Panel Buttons DIP Switch

SPECIFICATIONS

Input	Switch, transistor, logic level
Power	85-265 VAC or 12-36 VDC
Operating Temp	-40 to 65°C

FEATURES

- 1/8 DIN and explosion-proof versions
- 4 or 8-point monitoring
- All common ISA sequences
- Free custom message labels
- Built-in horn: 70 dB for PD154 / PD158, 50 dB for PD8-154 / PD8-158
- Silence, acknowledgment, and reset functions
- 2 SPDT relays for alarm activated devices
- Multiple-unit first-out indication
- Sunlight readable indication



**Level Monitoring
with Level Switches**

Accessories

PROVU ACCESSORIES



Required Cable Included

EXPANSION MODULES

PDA1004: 4-relay module

PDA1011*: Dual 4-20 mA output module

PDA1044: 4 digital I/O module

* For use with PD2-6060, PD2-6080, PD2-6081, PD2-6088, PD2-6089, PD2-6262, PD2-6363, PD2-6400 PD6060, PD6080, PD6081, PD6088, PD6089, PD6262, PD6363, and PD6400 only.

SERIAL ADAPTERS

PDA1232: RS-232 serial adapter

PDA1485: RS-485 serial adapter

ADDITIONAL ACCESSORIES

PDA1002: DIN-rail mounting kit

TRIDENT ACCESSORIES



Required Cable Included

SERIAL ADAPTERS

PDA7232: RS-232 serial adapter

PDA7422: RS-485 serial adapter

PDA8006: USB serial adapter

ADDITIONAL ACCESSORIES

PDA7420: Meter copy cable

SERIAL CONVERTERS



Required Cable Included

RS-232 TO RS-485

PDA7485-I: converter, isolated

PDA7485-N: converter, non-isolated

USB TO RS-232

PDA8232-N: converter, non-isolated

USB TO RS-485

PDA8485-I: converter, isolated

PDA8485-N: converter, non-isolated

TAGS



STAINLESS STEEL

PDA-SSTAG: Stainless Steel Tag

Order at www.predig.com/pda-sstag

HELIOS ACCESSORIES



PLUGS

PDAPLUG2: Plastic Conduit Plug

MOUNTING KIT

PDA6260: Pipe Mounting Kit Zinc Plated Steel

PDA1500 HIGH VAC/VDC TO LOGIC LEVEL CONVERTER



SPECIFICATIONS

Modes	Straight conversion or series break
Mounting	DIN Rail
Channels	4
Inputs	85-130 or 185-265 VAC/VDC
Outputs	TTL compatible logic (+5 V)
Power	12-24 VDC

FEATURES

- Combine with the Vigilante II annunciator to monitor high voltages
- Four high voltage inputs - up to 265 VAC or VDC
- Four 5 VDC digital outputs
- Easy DIN rail mounting
- Simple two-button setup
- Cascade mode for series break configurations
- Multi-unit cascade mode

PDA8068 ADAPTER



USE WITH METERVIEW EX & SCANVIEW EX

PDA8068: USB serial adapter for PD6730, PD6730X, PD6830, & PD6830X (Required cable included)

Note: Used for configuration only



Enclosures with Cutouts

PDA2300 ECONOMICAL PLASTIC NEMA 4X ENCLOSURES



SPECIFICATIONS

- Material** Thermoplastic polyester
- Color** Gray
- Ratings** NEMA 4X, UL, C-UL

FEATURES

- House up to 10 meters
- Horizontal or vertical cutouts
- Hinged door
- Stainless steel cover latches

PDA2500 RUGGED PLASTIC NEMA 4X ENCLOSURES



SPECIFICATIONS

- Material** Thermoplastic polyester
- Color** Gray
- Ratings** NEMA 4X, UL, C-UL

FEATURES

- House up to 10 meters
- Horizontal or vertical cutouts
- NEMA 1, 3, 3S, 4, 4X, and 12
- Hinged door

PDA2600 STAINLESS STEEL NEMA 4X ENCLOSURES



SPECIFICATIONS

- Material** PDA2601: 16-gauge, type 304 SS. PDA2602-2606: 14-gauge, type 304 SS
- Color** Stainless steel
- Ratings** UL 50 type 4; NEMA 4; CSA type 4; IP66

FEATURES

- House up to 6 meters
- Horizontal or vertical cutouts
- 16-gauge, type 304 stainless steel
- 14-gauge, type 304 stainless steel
- NEMA 4, 4X, 12, and 13
- Hinged door

PDA2700 STEEL NEMA 4 ENCLOSURES



SPECIFICATIONS

- Material** PDA2701: 16-gauge steel. PDA2702-2706: 14-gauge steel
- Color** Painted steel
- Ratings** UL 50 type 4; NEMA 4; CSA type 4; IP66

FEATURES

- House up to 6 meters
- Horizontal or vertical cutouts
- 16-gauge, Type 304 steel
- 14-gauge, Type 304 steel
- NEMA 4, 12, and 13
- Hinged door



Enclosure selection tool
www.predig.com/esu

Enclosures with Cutouts

PDA2800 LOW-COST PLASTIC NEMA 4X ENCLOSURES



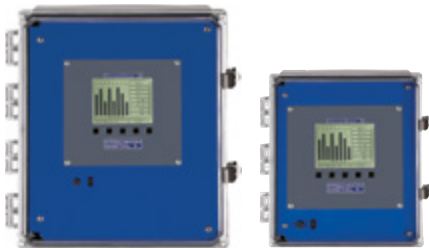
SPECIFICATIONS

Material Thermoplastic polyester
Color Gray
Ratings NEMA 4X

FEATURES

- House up to 2 meters
- 1/2" conduit hole on PDA2801 and PDA2811

PDA2900 PLASTIC NEMA 4X ENCLOSURES FOR CONSOLIDATOR SERIES



SPECIFICATIONS

Material Enclosure & cover: polycarbonate
 Front panel: painted aluminum
 Cover latches: stainless steel
Color Enclosure: light gray
 Cover: transparent
 Front panel: blue
Ratings Type 1, 2, 3, 3R, 4, 4X, 12, & 12K. UL & C-UL listed enclosure

FEATURES

- House 1 PD941 or PD981
- Hinged clear cover
- Hinged front mounting panel
- Fuse holder and power switch

ACCESSORIES

- Sub-panels
- Pipe mounting kit

PDA3400 PLASTIC NEMA 4X ENCLOSURES



SPECIFICATIONS

Material Thermoplastic with clear polycarbonate cover
Color Enclosure: light gray; Cover: transparent
Ratings UL (USA & Canada), NEMA 4X

FEATURES

- Meter mounted inside cover
- Mounting brackets
- One to three meters
- NEMA 4X
- UL Listed

Free Software



METERVIEW XL DOWNLOAD

For	PD6600 and PD6620 series
System	Windows 7 & 10
Comm.	USB

FEATURES

- Easy programming
- USB connection provides power
- Save & print configuration files without meter connected

REQUIRED CABLE

- Micro USB cable provided



METERVIEW EX DOWNLOAD

For	PD6730 PD6830
System	Windows XP, Vista, 7, 8, 10
Comm.	USB RS-485

FEATURES

- Configure the meter
- Monitor present trends
- Log to as large of a file as needed

REQUIRED ADAPTER

- **PDA8068** USB serial adapter for programming only



METERVIEW PRO ON-BOARD

For	PROVu, Helios, and ProtEX-MAX
System	Windows XP, Vista, 7, 8, 10
Comm.	USB RS-232 or RS-485

FEATURES

- Configure the meter
- Monitor present trends
- Log to as large of a file as needed
- Software on meter, not downloaded

REQUIRED ADAPTER

- USB cable included with meter



METERVIEW DOWNLOAD

For	PD765 PD8-765
System	Windows XP, Vista, 7, 8, 10
Comm.	USB RS-232 or RS-485

FEATURES

- Monitor up to 100 meters
- Program or read meter settings
- Save meter profiles for cloning
- Use profiles for reporting

REQUIRED ADAPTER

- **PDA8006** Trident USB serial adapter for programming only



SCANVIEW EX DOWNLOAD

For	PD6730X PD6830X
System	Windows 2000, XP, Vista, 7, 8, 10
Comm.	USB RS-232 or RS-485

FEATURES

- Manage scanner settings
- Download data logs
- Set up K-factor, scaling, tag, units & more

REQUIRED ADAPTER

- **PDA8068** USB serial adapter for programming only



SCANVIEW ON-BOARD

For	PROVu, Helios, and ProtEX-MAX scanners
System	Windows 2000, XP, Vista, 7, 8, 10
Comm.	USB RS-232 or RS-485

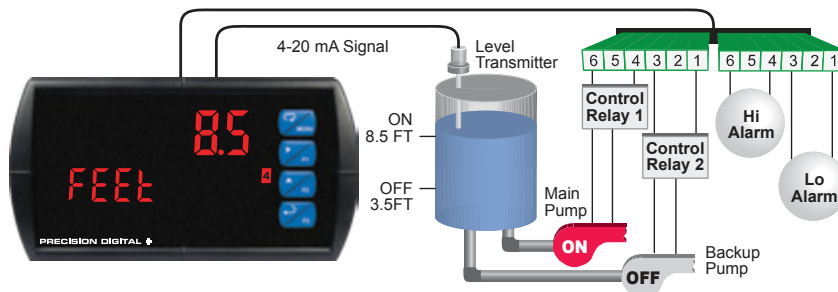
FEATURES

- Use in Modbus master, slave, or snoop mode
- Scan up to 16 Modbus PVs
- Easily configure Modbus Scanners
- Data log all PVs to a PC
- Software on scanner, not downloaded

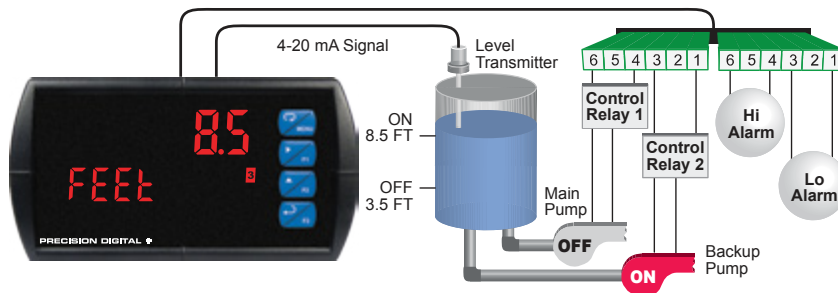
REQUIRED ADAPTER

- Free USB cable included with meter for programming only

Using Precision Digital Meters for Pump Control Applications



Relay #4 turns the main pump on at 8.5 feet and turns it off at 3.5 feet.



With the Pump Alternation feature activated, the next time the level reaches 8.5 feet, relay #3 transfers and starts the backup pump.

ADVANTAGES OF PROVU STYLE METER FOR PUMP CONTROL

- No PLC programming or maintenance
- Easy setup & installation
- Alternate up to eight pumps
- 24 V provided to power the level transmitter
- Local indication of level
- Panel mount, wall mount or exp-proof configurations

Here's how it works

The level transmitter is powered by the PDC meter. The PDC meter is field scaled to display level in feet. Two of the PDC meter's relays control the main and backup pumps and the other two relays are used for high and low alarms. The pump control relays are programmed to alternate.

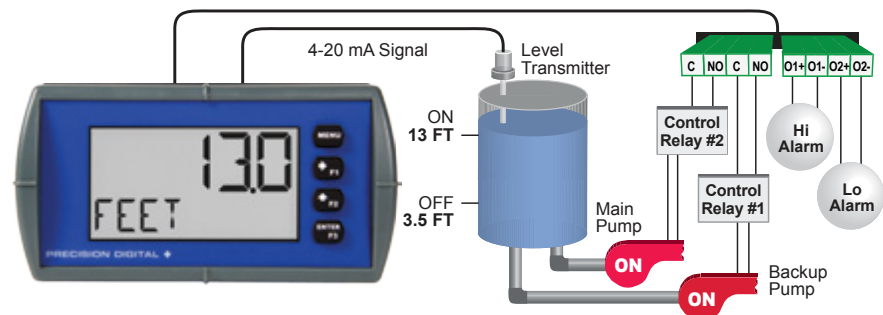
EXPLOSION-PROOF PUMP CONTROLLER

The PD8-6000 operates in the exact same manner as described above, but it is fully approved as explosion-proof. Its SafeTouch buttons allow it to be operated without removing the cover.



LOOP LEADER LOOP-POWERED INTRINSICALLY SAFE PUMP CONTROLLER

The PD6606-L2N loop-powered meter can be used as an intrinsically safe pump controller to alternate two pumps and provide high and low level alarm indication. The pumps can be programmed to alternate on level and run time and the meter can display the pump run times and the number of times they have cycled. The one disadvantage of the PD6606 is that it does not provide power to the transmitter.



PRECISION DIGITAL CORPORATION

Since 1974

CONTACT



U.S. & Canada
1-800-343-1001
International
1-508-655-7300



Tech Support
support@predig.com
Sales
sales@predig.com



Message / Live Chat
www.predig.com



Fax
1-508-655-8990



Corporate Office
233 South Street • Hopkinton, MA 01748 USA

Follow us



DISCLAIMER

The information contained in this document is intended to provide an overview of the products described and not intended to be used to specify specific products for specific applications. Refer to individual data sheets for specific details about each product.

This document is subject to change without notice. Precision Digital Corporation makes no representations or warranties with respect to the contents hereof, and specifically disclaims any implied warranties of merchantability or fitness for a particular purpose.

© 2018 Precision Digital Corporation.
All rights reserved.

LMDSFC_O 05/18



www.predig.com

